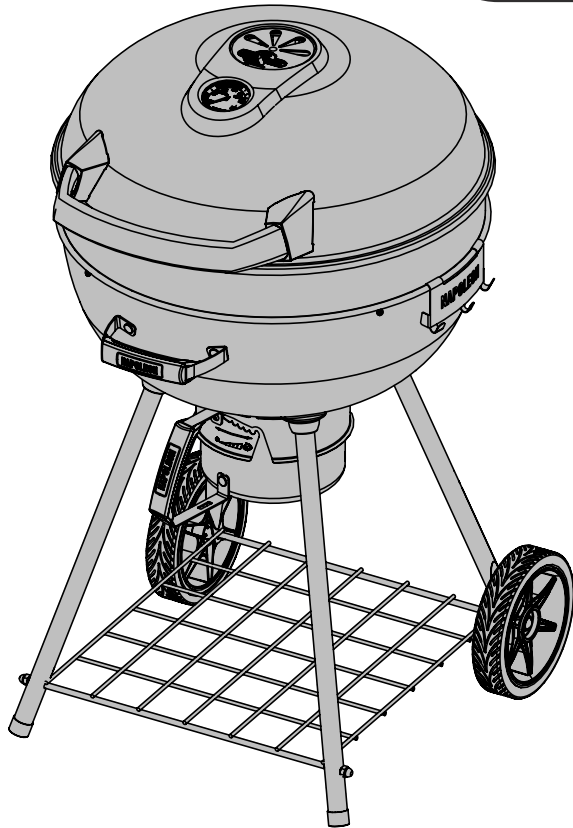
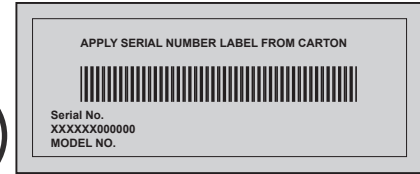


ASSEMBLY USE AND CARE MANUAL

THIS GRILL MUST ONLY BE USED OUTDOORS IN A WELL-VENTILATED SPACE
RETAIN THIS MANUAL FOR FUTURE REFERENCE

OUTDOOR CHARCOAL GRILL



PRO22K-LEG-2



WARNING

Do not try to light this appliance without reading the "LIGHTING" instruction section of this manual.



DANGER

Burning charcoal gives off carbon monoxide. Do not burn charcoal inside homes, garages, tents, vehicles or any enclosed areas.



WARNING! Failure to follow these instructions exactly could result in a fire causing serious injury or death.

Wolf Steel Ltd.
214 Bayview Drive,
Barrie, Ontario, CANADA L4N 4Y8
grills@napoleonproducts.com

Wolf Steel Europe BV
Poppenbouwing 29-31, 4191 NZ Geldermalsen,
CCI No. 51509970, THE NETHERLANDS
info@napoleongrills.nl

Napoleon President's 10 Year Limited Warranty



NAPOLEON products are designed with superior components and materials, and are assembled by trained craftsmen who take great pride in their work. This grill has been thoroughly inspected by a qualified technician before packaging and shipping to ensure that you, the customer, receive the quality product you expect from NAPOLEON.

NAPOLEON warrants that components in your new NAPOLEON product will be free from defects in material and workmanship from the date of purchase, for the following period:

Porcelain enamel lid and bowl	10 years
Air control system	5 years full coverage, plus 50% off until the 10th year
Porcelain-enameled cast iron cooking grids	5 years full coverage, plus 50% off until the 10th year
Chrome plated cooking grids	3 years full coverage, plus 50% off until the 10th year
All other parts	2 years

***Conditions and Limitations**

This Limited Warranty creates a warranty period as specified in the aforementioned table, for any product purchased through an authorized NAPOLEON dealer, and entitles the original purchaser to the specified coverage in respect of any component replaced within the warranty period, either by NAPOLEON or an authorized NAPOLEON dealer, to replace a component of such product that has failed in normal private use as a result of a manufacturing defect. The "50% off" indicated in the table means the component is made available to the purchaser at a 50% discount off the regular retail price of the component for the period indicated. This Limited Warranty does not cover accessories or bonus items.

For greater certainty, "normal private use" of a product means that the product: has been installed by a licensed, authorized service technician or contractor, in accordance with the installation instructions included with the product and all local and national building and fire codes; has been properly maintained; and has not been used as a communal amenity or in a commercial application.

Similarly, "failure" does not include: over-firing, blow outs caused by environmental conditions such as strong winds or inadequate ventilation, scratches, dents, corrosion, deterioration of painted and plated finishes, discoloration caused by heat, abrasive or chemical cleaners or UV exposure, chipping of porcelain enameled parts, or damages caused by misuse, accident, hail, grease fires, lack of maintenance, hostile environments such as salt or chlorine, alterations, abuse, neglect or parts installed from other manufacturers.

Should deterioration of parts occur to the degree of non-performance (rusted through or burnt through) within the duration of the warranted coverage, a replacement part will be provided. The replacement component is the sole responsibility of NAPOLEON defined by this Limited Warranty; in no event will NAPOLEON be responsible for installation, labor or any other costs or expenses related to the re-installation of a warranted part, for any incidental, consequential, or indirect damages or for any transportation charges, labor costs or export duties.

This Limited Warranty is provided in addition to any rights afforded to you by local laws. Accordingly, this Limited Warranty imposes no obligation upon NAPOLEON to keep parts in stock. Based on the availability of parts, NAPOLEON may at its discretion discharge all obligations by providing a customer a prorated credit towards a new product. After the first year, with respect to this Limited Warranty NAPOLEON may, at its discretion, fully discharge all obligations with respect to this warranty by refunding to the original warranted purchaser the wholesale price of any warranted but defective part(s).

The bill of sale or copy will be required together with a serial number and a model number when making any warranty claims from NAPOLEON. NAPOLEON reserves the right to have its representative inspect any product or part prior to honoring any warranty claim. You must contact NAPOLEON Customer Service or an authorized NAPOLEON dealer to obtain the benefit of the warranty coverage.



napoleongrills.com



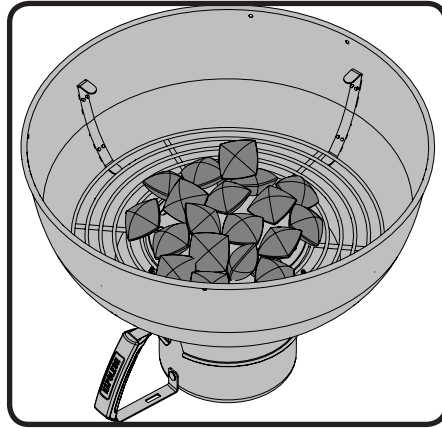
WARNING! Failure to follow these instructions could result in property damage, personal injury or death. Read and follow all warnings and instructions in this manual prior to operating grill.

Safe Operating Practices

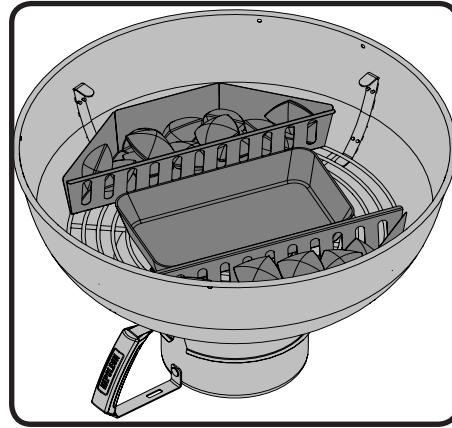
- Read the entire instruction manual before operating the grill.
- Under no circumstance should this grill be modified.
- Follow lighting instructions carefully when operating grill.
- Do not light charcoal with lid closed.
- Do not lean over grill when lighting.
- Do not use gasoline, alcohol, or other highly volatile fluids to ignite charcoal. Use ONLY charcoal starter fluid approved for lighting charcoal. Make sure that any fluids that have drained through the bottom of the grill are removed before lighting the charcoal.
- Charcoal starter fluid should never be added to hot or even warm coals.
- After use and before lighting, charcoal starter fluid should be capped and stored a safe distance away from the grill, at least 25ft (7.6m).
- Keep children and pets away from hot grill, DO NOT allow children to climb inside cabinet.
- Do not leave the grill unattended while in use.
- Do not move grill when hot or operating.
- This grill must not be installed in or on recreational vehicles and/or boats.
- This grill must only be stored outdoors in a well-ventilated area and must not be used inside a building, garage, screened in porch, gazebo or any enclosed area.
- Maintain proper clearance to combustibles, 5ft (1.5m) to all sides. This clearance is also recommended near vinyl siding or panes of glass. The grill must not be used on combustible surfaces (wooden or composite decks or porches).
- At all times keep the ventilation openings of the enclosure free and clear from debris.
- Do not operate unit under any combustible construction.
- Do not operate this grill under any overhead construction such as roof coverings, carports, awnings or overhangs.
- Do not locate in windy settings. High winds adversely affect the cooking performance of the grill.
- The lid is to be closed during the preheat period.
- The ash/grease tray must be in place when using the grill.
- Clean the ash/grease tray regularly to avoid build-up, which may lead to grease fires.
- Do not use the side shelves to store lighters, matches or any other combustibles.
- The grill should be on level ground at all times.
- Do not use water to control flare-ups or extinguish coals, as it may damage your grill's finish.
- To control flare-ups, slightly close the vents on your grill. To completely extinguish coals/fire, close all vents and lid completely.
- Use proper grilling tools with long, heat-resistant handles.
- Use barbecue mitts or hot pads to protect hands while cooking or adjusting the vents.
- Do not remove ashes from grill until all charcoal is completely burned out and fully extinguished. Allow ample time to cool.
- Remaining coal and ashes are to be removed from grill and stored in a non-combustible metal container. Allow to remain in metal container 24 hours before disposing of.
- Keep electrical supply cords away from water or heated surfaces.
- **California Proposition 65:** The burning of charcoal creates by-products, some of which are on the list as substances known by the State of California to cause cancer or reproductive harm. When cooking with charcoal, always ensure adequate ventilation to the unit, to minimize exposure to such substances.

Lighting Instructions

DIRECT COOKING



INDIRECT COOKING



Charcoal Usage

Grill Diameter	Cooking Method	Charcoal Recommended
22" (56cm)	Direct Cooking	50
22" (56cm)	InDirect Cooking	25 per side *(add 8 per side for each additional hour of cooking time)

*Charcoal recommendations are approximate, longer cooking times require additional charcoal to be added. As well, colder, windy temperatures will require additional charcoal to reach ideal cooking temperatures.



WARNING! Open lid.

WARNING! Locate the grill outdoors on a solid, level, non-combustible surface. Never use grill on wooden or other surfaces that could burn.

WARNING! Do not lean over grill when lighting charcoal.

WARNING! Ashpan must be in place during lighting and anytime during use.

DIRECT COOKING METHOD	INDIRECT COOKING METHOD
1. Fully open the vent on the lid and base. Remove the grill lid and remove the cooking grill	1. Fully open the vent on the lid and base. Remove the grill lid and remove the cooking grill.
2. Ensure the ash pan is cleaned out from the previous use and then re-install.	2. Ensure the ash pan is cleaned out from the previous use and then re-install.
3. The grill can be used either with our without the center air deflector. The deflector will ensure more even temperatures and will slow the rate of burn in the center of the grill. Use either the Ultrachef Charcoal Starter (not included) following the instructions included in the manual, or place lighter cubes or lightly crumpled newspaper on and around the air deflector. Place the charcoal in a cone shaped pile in the center of the unit on the newspaper or lighter cubes.	3. Remove the center air deflector and place a drip pan. Place the optional charcoal baskets on either side of the drip pan. Use either the Ultrachef Charcoal Starter (not included) following the instructions included in the manual, or place lighter cubes or lightly crumpled newspaper in the charcoal baskets. Place the charcoal in the baskets onto the newspaper or lighter cubes.
4. Light the newspaper or lighter cubes. Once fully lit, close the lid and allow the charcoal to burn until it is covered in a light grey ash (approximately 20 minutes).	4. Light the newspaper or lighter cubes. Once fully lit, close the lid and allow the charcoal to burn until it is covered in a light grey ash (approximately 20 minutes).
5. Using tongs with long heat resistant handles, spread the coals to evenly cover the entire grate (including the center air deflector).	



Starter fluid can be used to light the charcoal, but it is not the preferred method. It can be messy and may leave a chemical taste on the food if not completely burned off prior to cooking. Once lit, never add additional starter fluid to the grill. Store the bottle at least, 25 ft (7.6m) away from the grill when operating.

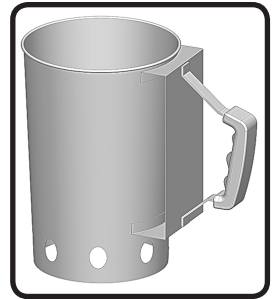


Charcoal Starter Safe Operating Practices

WARNING!

- For outdoor use only.
- Do not use the Charcoal Starter unless it is placed on a firm, level charcoal grate and the charcoal grill is on a firm, level, non-combustible surface.
- Do not place the Charcoal Starter on any combustible surface unless the Charcoal Starter is completely cool.
- Do not use lighter fluid, gasoline or self lighting charcoal in the Charcoal Starter.
- Only use the Charcoal Starter to light charcoal for charcoal grills.
- Always wear protective gloves when handling the Charcoal Starter.
- Keep children and pets away from the Charcoal Starter at all times.
- Do not use the Charcoal Starter in high winds.
- Do not leave the Charcoal Starter unattended while in use.
- Do not lean over the Charcoal Starter when lighting.
- Never use the Charcoal Starter for other than intended use. Do not use the Charcoal Starter to prepare food.
- Use extreme caution when pouring hot coals out of the Charcoal Starter.

CHARCOAL STARTER



Using the Charcoal Starter

- Turn the Charcoal Starter upside down.
- Crumple two full sheets of newspaper and stuff them into the bottom of the Charcoal Starter.
- Turn the Charcoal Starter right side up and place it in the centre of the charcoal grate.
- Add appropriate amount of charcoal but do not over fill.
- Light a match, and insert into one of the bottom air vents to ignite the newspaper.
- When the top layer of charcoal has a light coating of grey ash, wearing protective gloves carefully pour the hot charcoal onto the charcoal grate (direct cooking method) or place into the charcoal baskets (indirect method).
- Once the hot charcoal is placed into the grill, spread the charcoal out evenly using tongs with long heat resistant handles.

Charcoal Cooking Guide

Charcoal is the traditional way of cooking that we are all familiar with. The glowing briquettes emit infrared energy to the food being cooked, with very little drying effect. Any juices or oils that escape from the food drip down onto the charcoal and vaporize into smoke giving the food its delicious grilled taste. The bottom line is that Napoleon's charcoal grill produces searing heat for juicier, tastier steaks, hamburgers and other meats. For cooking times and tips refer to the Charcoal Grilling Chart.

The following grilling chart is meant to be a guideline only. Cooking times are affected by such factors as altitude, outside temperature, wind, and desired doneness, which will be reflected in your cooking time. Use a meat thermometer to ensure foods are adequately cooked.

Charcoal Grilling Chart

Food	Direct/Indirect Heat	Cooking Time	Helpful Suggestions
Steak 1 in. (2.54cm) thick	Direct heat	6-8 min.– Medium	When selecting meat for grilling, ask for marbled fat distribution. The fat acts as a natural tenderizer while cooking and keeps it moist and juicy.
Hamburger 1/2 in (1.27cm) thick	Direct heat	6-8 min.– Medium	Preparing hamburgers to order is made easier by varying the thickness of your patties. To add an exotic taste to your meat, try adding hickory-flavored woodchips to the charcoal.
Chicken pieces	Direct heat approx 2 min. per side. Indirect heat for the remaining 18-20 min.	20-25 min.	The joint connecting the thigh and the leg from the skinless side should be sliced 3/4 of the way through for the meat to lay flatter on the grill. This helps it to cook faster and more evenly. To add a trademark taste to your cooking, try adding mesquite-flavored woodchips to the charcoal.
Pork chops	Direct heat	10-15 min.	Trim off the excess fat before grilling. Choose thicker chops for more tender results.
Spare ribs	Direct heat for 5 min. Indirect heat to finish	1.5-2 hrs. turning often	Choose ribs that are lean and meaty. Grill until meat easily pulls away from the bone.
Lamb chops	Direct heat	25-30 min.	Trim off the excess fat before grilling. Choose extra thick chops for more tender results.
Hot dogs	Direct heat	4-6 min.	Select the larger size wieners. Slit the skin lengthwise before grilling.

Cooking Instructions

Initial Lighting: When lit for the first time, the grill emits a slight odor. This is a normal temporary condition caused by the “burn-in” of internal paints and lubricants used in the manufacturing process and does not occur again. Simply burn the grill on high for approximately 30 minutes with the lid and base vents fully open.

Grill Use: We recommend preheating the grill by operating it with the lid closed for approximately 20 minutes. The coals are ready when they have a light coating of grey ash. Food cooked for short periods of time (fish, vegetables) can be grilled with the lid open. Cooking with the lid closed ensures higher, more even temperatures that will reduce cooking time and cook the food more evenly. When cooking very lean meat, such as chicken breast or lean pork, the grids can be oiled before preheating to reduce sticking. Cooking meat with a high degree of fat content may create flare-ups. Either trim the fat or reduce temperatures to inhibit this. Should a flare-up occur, move food away from flames; reduce the heat (reduce vent opening). Leave the lid open.

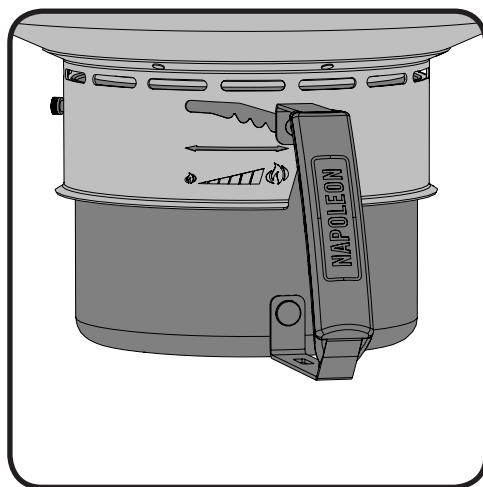
As a general rule, plan on using about 50 briquettes to cook 2 lb. (1kg) of meat. If cooking for more than 30 to 40 minutes, additional briquettes must be added to the fire. When the weather is cold or windy, you will need more briquettes to reach ideal cooking temperatures.

Adding Charcoal During Cooking: Use caution when adding charcoal to the grill. Flames may flare up when coals come in contact with fresh air. Stand back a safe distance and use a long-handled heat-resistant cooking tongs to add additional charcoal briquettes. There are flaps on either side of the cooking grid that provide access to the charcoal grate.

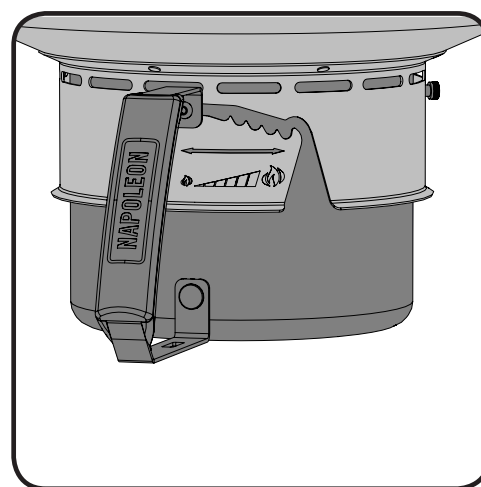


WARNING! Never add charcoal starter fluid to hot or warm coals. Once charcoal is ignited no more fluid is required.

Operating The Vents: Lid vents on a covered grill are usually left open to allow air into the grill. Air increases the burning temperature of the coals. You can regulate the grill's temperature by moving the vent slide to the right or left. Closing the vents either partially or completely will help to cool down the coals. Do not completely close the air vents and the lid vent unless you are trying to cool down or extinguish a flame.



Vent Open



Vent Closed

After Use Safety



WARNING! To protect yourself and your property from damage, carefully follow these safety precautions.

- Close the grill lid and all vents to extinguish fire.
- Always allow the grill to cool completely before handling.
- Never leave coals and ashes in grill unattended. Make sure coals and ashes are completely extinguished before removing.
- Use a metal spatula or scoop to remove remaining coals and ashes from grill. Place them in a non-combustible metal container and completely saturate with water. Leave in container an additional 24 hours before disposing.



Maintenance / Cleaning Instructions

It is recommended that the ashtray/drip pan be emptied out after each use.

WARNING! Ensure the grill is cool and all coals are completely extinguished prior to removing any part from your grill.

WARNING! Always wear protective gloves and safety glasses when cleaning your grill.

WARNING! Do not use pressure washer to clean any part of the grill.

WARNING! To avoid the possibility of burns, maintenance should be done only when the grill is cool. Avoid unprotected contact with hot surfaces. Clean grill in an area where cleaning solutions will not harm decks, lawns, or patios. Do not use oven cleaner to clean any part of this grill. Do not use a self-cleaning oven to clean cooking grids or any other parts of the grill. Barbecue sauce and salt can be corrosive and will cause rapid deterioration of the grill components unless cleaned regularly.

Grids And Warming Rack: The grids and warming rack are best cleaned with a brass wire brush during the pre-heating period. Steel wool can be used for stubborn stains.

Cleaning Inside The Grill: Remove the cooking grids. Use a brass wire brush to clean loose debris from the bowl and the insides of the lid. Scrape the inside of the bowl with a putty knife or scraper, and use a wire brush to remove ash. Sweep all debris from inside the grill into the removable ash/drip pan. If desired you can wash the inside of the grill with a mild detergent and water. Rinse well with clear water and wipe dry.

WARNING! Accumulated grease is a fire hazard. Clean the drip pan after each use to avoid grease buildup.

Ash/Drip Pan: Ashes, grease and excess drippings pass through to the ash/drip pan, located beneath the charcoal grill, and accumulate. To clean, slide the pan free of the grill. Never line the pan with aluminum foil, sand or any other material as this could prevent the grease from flowing properly. The pan should be scraped out with a putty knife or scraper, and all the debris brushed into a non-combustible metal container. Wash the ash/drip pan with a mild detergent and water. Rinse well with clear water and wipe dry.

Cleaning The Outer Grill Surface: Do not use abrasive cleaners or steel wool on any painted, porcelain or stainless steel parts of your Napoleon Grill. Doing so will scratch the finish. Exterior grill surfaces should be cleaned with warm soapy water while the metal is still warm to the touch. To clean stainless surfaces, use a stainless steel or a non-abrasive cleaner. Always wipe in the direction of the grain. Over time, stainless steel parts discolor when heated, usually to a golden or brown hue. This discoloration is normal and does not affect the performance of the grill. Porcelain enamel components must be handled with additional care. The baked-on enamel finish is glass-like, and will chip if struck. Touch-up enamel is available from your Napoleon Grill dealer.

Cast Iron Cooking Grids: The cast iron cooking grids supplied with your new grill offer superior heat retention and distribution. By regularly seasoning your grids you are adding a protective coating, which will aid in resisting corrosion and increase your grids non-stick capabilities.

First Time Use: Wash the cooking grids by hand with mild dish soap and water to remove any residue from the manufacturing process (never wash in a dish washer). Rinse thoroughly with hot water and dry completely with a soft cloth. This is important to avoid moisture from entering the cast iron.

Seasoning: Using a soft cloth, spread VEGETABLE SHORTENING over the entire grid surface ensuring all grooves and corners are covered. Do not use salted fats such as butter or margarine. Pre-heat your grill for 15 minutes, then place the seasoned cooking grids in the grill. Turn the burner control knobs to medium with the lid closed. Allow the cooking grids to heat for approximately one-half hour. Turn all the burners to the "OFF" position and turn the gas off at the source. Let the cooking grids stand until cool. This procedure should be repeated several times throughout the season, although it is not required for daily use (follow daily usage procedure below).

Daily Usage: Before pre-heating, and cleaning with a brass wire grill brush, coat the entire top surface of the cooking grids with VEGETABLE SHORTENING. Pre-heat the grill and then brush away any unwanted residue with a brass wire brush.

Troubleshooting

EN

Problem	Possible Causes	Solution
Low heat / Low flame.	<p>Improper preheating.</p> <p>Not enough airflow.</p> <p>Low charcoal.</p> <p>Lid being opened to frequently.</p>	<p>Allow charcoal to burn until covered with a light grey ash. (usually 20-25min).</p> <p>Open Vents.</p> <p>Add more charcoal to the charcoal tray.</p> <p>Allow food to cook with the lid closed. Every time the lid is removed, the temperature drops. This leads to lower temperatures and longer cooking times.</p>
Excessive flare-ups/uneven heat.	<p>Improper preheating.</p> <p>Excessive grease and ash build up in ash/drip pan.</p>	<p>Preheat grill with lid closed for 20 - 25 mins and spread coals around evenly.</p> <p>Clean ash/drip pan regularly. Do not line pan with aluminum foil. Refer to cleaning instructions.</p>
"Paint" appears to be peeling inside lid or hood.	Grease build up on inside surfaces.	This is not a defect. The finish on the lid is porcelain, and will not peel. The peeling is caused by hardened grease, which dries into paint-like shards that will flake off. Regular cleaning will prevent this. See cleaning instructions.

Charcoal Grilling In Review

Lighting Your Grill

- Before cooking for the first time, we recommend burning on high for 30 minutes with the lid and base vents fully open. This will burn off any lubricants used in the manufacturing process.
- Fully open the vent on the lid and base each time you light your grill.
- Ensure the ash pan is cleaned out from the previous use and then re-install.
- The grill can be used either with or without the center air deflector. The deflector will ensure more even temperatures and will slow the rate of burn in the center of the grill.
- Use either the Ultrachef Charcoal Starter (not included) following the instructions included in the manual, or place lighter cubes or lightly crumpled newspaper on and around the air deflector. Place the charcoal in a cone shaped pile in the center of the unit (direct cooking method) or the optional charcoal baskets (indirect method).
- Once fully lit, close the lid and allow the charcoal to burn until it is covered in a light grey ash (approximately 20 minutes), arrange the charcoal using tongs with heat resistant handles according to the cooking method you are going to use.
- Starter fluid can be used to light the charcoal, but it is not the preferred method. It can be messy and may leave a chemical taste on the food if not completely burned off prior to cooking. Once lit, never add additional starter fluid to the grill. Store the bottle at least 25ft (7.6m) away from the grill when operating.
- Additional smoke flavour can be achieved by adding smoker chips which are available in a variety of flavours through your Napoleon dealer.

Cooking With Your Grill

- We recommend preheating the grill by operating it with the lid closed for approximately 20 minutes. The coals are ready when they have a light coating of grey ash.
- As a general rule plan on using about 50 briquettes to cook 2 lb. (1kg) of meat. If cooking for more than 30 to 40 minutes, additional briquettes must be added to the fire. When the weather is cold or windy, you will need more briquettes to reach ideal cooking temperatures.
- Use caution when adding charcoal to the grill. Flames may flare up when coals come in contact with fresh air. Stand back a safe distance and use a long-handled heat-resistant cooking tongs to add additional charcoal briquettes.
- Lid vents on a covered grill are usually left open to allow air into the grill. Air increases the burning temperature of the coals. You can regulate the grill's temperature by moving the vent slide to the right or left.
- Allow food to cook with the lid closed. Every time the lid is removed, the temperature drops. This leads to lower temperatures and longer cooking times.
- Closing the vents either partially or completely will help to cool down the coals. Do not completely close the air vents and the lid vent unless you are trying to cool down or extinguish a flame.
- The cooking grid can be oiled before preheating to reduce sticking.
- Use a meat thermometer to ensure foods are adequately cooked.

Grill Clean Up

- Close the grill lid and all vents to extinguish fire.
- Always allow the grill to cool completely before handling.
- Never leave coals and ashes in grill unattended. Make sure coals and ashes are completely extinguished before removing.
- Use a metal spatula or scoop to remove remaining coals and ashes from grill. Place them in a non-combustible metal container and completely saturate with water. Leave in container an additional 24 hours before disposing.
- Use a brass wire brush to clean loose debris from the bowl and the insides of the lid.
- Wash the inside of the grill with a mild detergent and water. Rinse well with clear water and wipe dry.
- Porcelain enamel components must be handled with additional care. The baked-on enamel finish is glass-like, and will chip if struck. Touch-up enamel is available from your Napoleon Grill dealer.

KEEP YOUR RECEIPT AS PROOF OF PURCHASE TO VALIDATE YOUR WARRANTY.

Ordering Replacement Parts

Warranty Information

MODEL: _____

DATE OF PURCHASE: _____

SERIAL NUMBER: _____

(Record information here for easy reference)

Before contacting the Customer Solutions Department, check the Napoleon Grills Website for more extensive cleaning, maintenance, troubleshooting and parts replacement instructions at www.napoleongrills.com. Contact the factory directly for replacement parts and warranty claims. Our Customer Solutions Department is available between 9 AM and 5 PM (Eastern Standard Time) at 1-866-820-8686 or by e-mail at grills@napoleonproducts.com. To process a claim, we must be provided with the following information:

1. Model and serial number of the unit.
2. Part number and description.
3. A concise description of the problem ('broken' is not sufficient).
4. Proof of purchase (photocopy of the invoice).

In some cases the Customer Solutions Representative could request to have the parts returned to the factory for inspection before providing replacement parts. These parts must be shipped prepaid to the attention of the Customer Solutions Department with the following information enclosed:

1. Model and serial number of the unit.
2. A concise description of the problem ('broken' is not sufficient).
3. Proof of purchase (photocopy of the invoice).
4. Return Authorization Number - provided by the Customer Solutions Representative.

Before contacting Customer Solutions Representative, please note that the following items are not covered by the warranty:

- Costs for transportation, brokerage or export duties.
- Labour costs for removal and reinstallation.
- Costs for service calls to diagnose problems.
- Discoloration of stainless steel parts.
- Part failure due to lack of cleaning and maintenance, or use of improper cleaners (oven cleaner or other harsh chemicals).

Notes

EN

ИНСТРУКЦИЯ ПО СБОРКЕ И ОБСЛУЖИВАНИЮ

ДАННЫЙ ГРИЛЬ СЛЕДУЕТ ИСПОЛЬЗОВАТЬ ТОЛЬКО ВНЕ ПОМЕЩЕНИЯ В ХОРОШО ПРОВЕТРИВАЕМОМ МЕСТЕ
ХРАНИТЕ ДАННУЮ ИНСТРУКЦИЮ В КАЧЕСТВЕ СПРАВОЧНОГО МАТЕРИАЛА.

OUTDOOR CHARCOAL GRILL

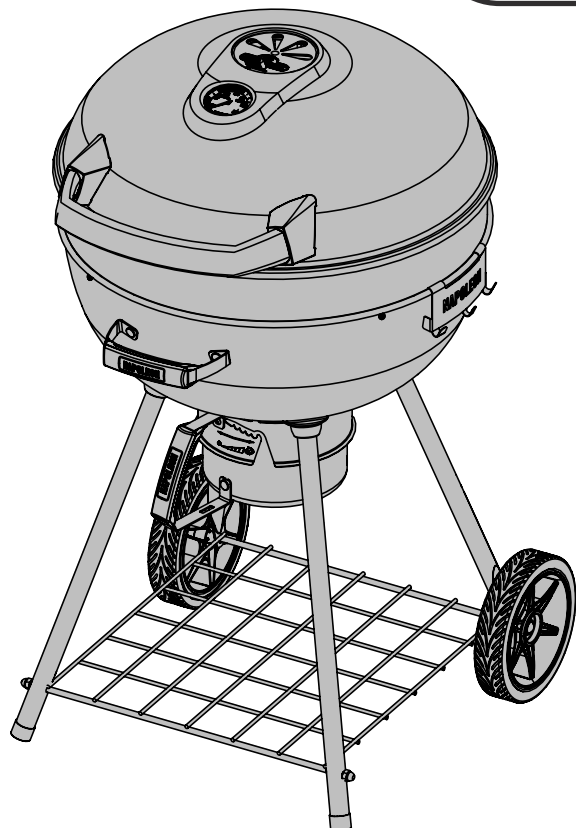


ПРЕДОСТАВЬТЕ СЕРИЙНЫЙ НОМЕР, РАСПОЛОЖЕННЫЕ
НА УПАКОВКЕ



СЕРИЙНЫЙ НОМЕР
XXXXXXXXXXXX
НОМЕР МОДЕЛИ

RU



НЕ ВЫБРАСЫВАТЬ

PRO22K-LEG-2



ВНИМАНИЕ

Сначала прочитайте раздел
“РОЗЖИГ” данной инструкции,
затем приступайте к процедуре
розжига.



ОПАСНОСТЬ

В процессе горения древесного угля
вырабатывается углекислый газ. Не
разжигайте древесные угли дома, в
гараже, палатках, автомобиле или
другом замкнутом пространстве.



ВНИМАНИЕ! Несоблюдение данных указаний может привести к тяжёлым травмам или смерти.

Wolf Steel Europe BV
Poppenbouwing 29-31, 4191 NZ Geldermalsen,
CCI No. 51509970, THE NETHERLANDS
info@napoleongrills.nl

Президентская Гарантия Napoleon 10 лет с ограничениями



RU

Продукция торговой марки NAPOLEON поставляется с высококачественными компонентами и материалами и собирается обученными работниками, которые гордятся своей работой. Перед упаковкой и отгрузкой квалифицированные работники проводят тщательный осмотр гриля, чтобы убедиться, что Вы, потребитель, получите качественную продукцию, как и ожидаете от компании Napoleon.

Компания NAPOLEON гарантирует отсутствие дефектов материалов и отделки Вашего нового прибора NAPOLEON с даты приобретения в течение указанного периода:

Крышка и чаша, покрытые фарфоровой эмалью	10 лет
Система управления потоками воздуха	5 лет полное покрытие, плюс 50% скидка до 10-го года
Эмалированные чугунные барбекю-решетки	5 лет полное покрытие, плюс 50% скидка до 10-го года
Хромированные барбекю-решетки	3 года полное покрытие, плюс 50% скидка до 10-го года
Все остальные детали	2 года

*Условия и ограничения

Настоящая Ограниченная гарантия создает гарантийный период, указанный в выше приведенной таблице, для любого прибора, приобретенного у авторизованного дилера NAPOLEON, и дает право первоначальному покупателю на указанное покрытие в отношении любого компонента, замененного в течение гарантийного срока – либо компанией NAPOLEON, либо авторизованным дилером NAPOLEON - при замене компонента указанных приборов, который вышел из строя в ходе обычного использования прибора в личных целях по причине производственного дефекта. Указанная в таблице «50% скидка» означает, что в течение указанного периода компонент предоставляется покупателю со скидкой 50% от обычной розничной цены компонента. Данная Ограниченная гарантия не распространяется на аксессуары или бонусные товары.

Для большей однозначности «обычное использование прибора в личных целях» означает, что продукт установлен лицензированным авторизованным сервисным специалистом или подрядчиком в соответствии с прилагаемыми к прибору инструкциями по установке, а также согласно всем местным и национальным нормам зданий и пожарной безопасности, надлежащим образом проходил техническое обслуживание и не использовался в качестве коммунального бытового прибора или в коммерческих целях.

Аналогичным образом «выход из строя» не включает в себя: чрезмерное пламя, вспышки пламени, вызванные такими условиями окружающей среды, как сильный ветер или несоответствующая вентиляция, царапины, вмятины, коррозию, износ покраски и покрытий, выцветание, вызванные нагревом, абразивными или химическими чистящими средствами или воздействием ультрафиолетовых лучей, скол деталей с фарфоровым эмалевым покрытием или иные повреждения, вызванные неправильным использованием, несчастным случаем, градом, возгоранием жира, отсутствием технического обслуживания, агрессивными средами, такими как соль или хлор, модифицированием прибора, порчей, небрежным обращением или установленными деталями других производителей. Если ухудшение деталей

происходит до той степени, когда их больше невозможно использовать (ржавление или прогорание) в течение срока действия гарантийного покрытия будет предоставлена запасная деталь.

Исключительной ответственностью NAPOLEON, определенной настоящей Ограниченной гарантией, является запасная деталь. Ни при каких обстоятельствах NAPOLEON не несет ответственности за расходы по установке, работе или за любые иные расходы или траты, связанные с переустановкой гарантийной детали, за любой ненамеренный, косвенный или непрямо́й ущерб, или за любые транспортные расходы, затраты на рабочую силу или экспортные пошлины.

Данная Ограниченная гарантия предоставляется в дополнение к любым правам, предоставленным Вам местным законодательством. Соответственно, данная Ограниченная гарантия не налагает никаких обязательств на NAPOLEON по хранению запасных деталей на складе. В соответствии с наличием деталей NAPOLEON может по своему усмотрению выполнить все обязательства, предоставив клиенту пропорциональный кредит в отношении нового прибора. По окончании первого года в отношении данной Гарантии компания NAPOLEON по своему усмотрению может выполнить в полном объеме все обязательства по данной Гарантии путем возмещения первоначальному покупателю, получившему данную гарантию, оптовой стоимости гарантийной детали/деталей с дефектом.

При подаче каких-либо гарантийных претензий в отношении компании NAPOLEON необходимо вместе с серийным номером и номером модели предоставить чек на купленный товар или его копию.

Компания NAPOLEON оставляет за собой право своими силами или силами своих представителей производить предварительную проверку/осмотр поврежденного/дефектного прибора или детали до удовлетворения любого гарантийного требования. Чтобы получить гарантийное покрытие, Вам необходимо обратиться в Службу поддержки клиентов NAPOLEON или к авторизованному дилеру NAPOLEON.



napoleongrills.com



ВНИМАНИЕ! Несоблюдение данных указаний может привести к ущербу частной собственности, травмам или смерти. Прочитайте и следуйте всем предупреждениям и указаниям, данным в инструкции.

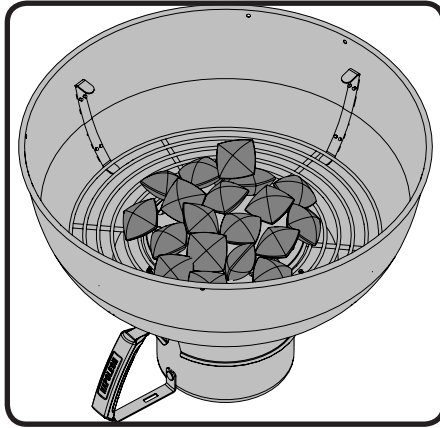
Меры предосторожности

- Полностью прочитайте инструкцию перед тем, как приступить к эксплуатации газового гриля.
- В устройство гриля не должно вноситься никаких изменений или модификаций.
- Тщательно следуйте указаниям по розжигу во время эксплуатации гриля.
- Не розжигайте древесный уголь при закрытой крышке.
- Не наклоняйтесь над грилем во время розжига.
- Не пользуйтесь бензином, алкоголем или другой легковоспламеняющейся жидкостью для древесных углей. Для розжига древесных углей подходит ТОЛЬКО жидкость для розжига древесных углей. Убедитесь, что любые жидкости, находящиеся в гриле, были удалены к моменту розжига древесного угля.
- Не добавляйте жидкость для розжига древесных углей на горячие или даже тёплые угли.
- До и после применения ёмкость, в которой хранится жидкость для розжига древесных углей, должна быть плотно закупорена и храниться на расстоянии не менее 25 футов (7,6 м) от гриля.
- Не допускайте нахождения детей и домашних животных вблизи гриля, НЕ позволяйте детям забираться внутрь корпуса.
- Не оставляйте работающий гриль без присмотра.
- Не перемещайте гриль во время эксплуатации.
- Данный газовый гриль не должен устанавливаться в или на жилых автофургонах и / или лодках.
- Гриль должен эксплуатироваться исключительно вне помещения, в хорошо проветриваемом месте, запрещена эксплуатация внутри здания, гаража, под навесом или в любом другом замкнутом пространстве.
- Сохраняйте дистанцию между грилем и горючими материалами 5 футов (1,5 м) со всех сторон. Сохраняйте дистанцию между грилем и виниловой обивкой или оконными рамами. Запрещено пользоваться грилем на легко воспламеняющихся поверхностях (деревянных или композитных настилах или террасах).
- Все вентиляционные отверстия гриля должны содержаться в чистоте.
- Запрещена эксплуатация установки, расположенной под какой либо конструкцией, сделанной из воспламеняющихся материалов.
- Запрещена эксплуатация установки, расположенной под какой либо крытой конструкцией типа крыши, навеса, козырька или навеса для автомобиля.
- Располагайте гриль таким образом, чтобы он был защищён от ветра. Сильный ветер негативно сказывается на кулинарных показателях гриля.
- Во время прогрева надлежит закрывать крышку.
- Зольник или поднос для жира должны быть на месте во время эксплуатации гриля.
- Следует проводить регулярную чистку подноса и зольника во избежание скопления жира, которое может послужить причиной пожара, возникшего от возгорания жира на гриле.
- Не храните зажигалки, спички и любые другие горючие материалы на боковых полках.
- Гриль должен всегда располагаться на ровной поверхности.
- Не пользуйтесь водой для тушения углей, так как это может повредить покрытие гриля.
- Для борьбы с выбросами пламени следует закрывать вентиляционные отверстия вашего гриля. Для тушения угля / огня полностью закройте вентиляционные отверстия и крышку.
- Пользуйтесь подходящими инструментами на длинных, жаростойких ручках.
- Во время эксплуатации установки обязательно использование прихваток / рукавиц.
- Не извлекайте зольник, пока весь уголь полностью не выгорел и не потух. Дайте грилю остыть.
- Оставшиеся угли и золу поместите в контейнер из огнеупорного металла. Оставьте угли в контейнере на 24 часа, затем их можно утилизировать.
- Держите кабели электропитания вдали от воды или нагретых поверхностей.
- Закон 65 штата Калифорния: В результате горения древесного угля выделяются вещества, некоторые из которых, согласно закону штата Калифорния, относятся к веществам, которые могут вызвать рак или опасность для репродуктивного здоровья. При приготовлении пищи на древесном угле всегда обеспечивайте надлежащую вентиляцию установки для устранения воздействия вредных веществ.

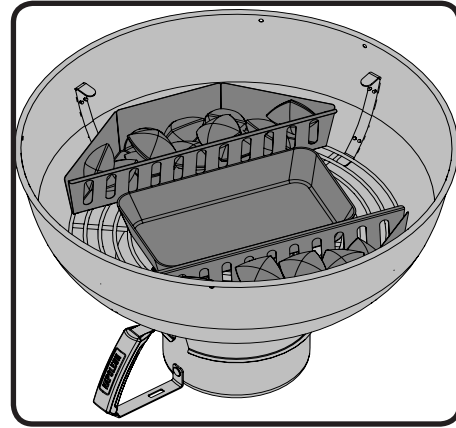
RU

Указания по розжигу

Прямое приготовление



Непрямой приготовления



Потребление древесного угля

Диаметр гриля	Способ приготовления пищи	Рекомендуемое количество древесного угля
22" (56 см)	Прямой способ приготовления	50
22" (56 см)	Непрямой способ приготовления	25 с каждой стороны *(добавьте еще по 8 с каждой стороны за каждый дополнительный час приготовления пищи)

*Рекомендации по потреблению древесного угля являются приблизительными, более длительное приготовление пищи требует большего количества древесных углей. Если погода холодная или ветреная, придётся добавить больше брикетов для достижения необходимой температуры приготовления пищи.



ВНИМАНИЕ! Открытая крышка.

ВНИМАНИЕ! Установите гриль вне помещения на твёрдой, ровной и невоспламеняющейся поверхности. Не пользуйтесь грилем на деревянных или других воспламеняющихся поверхностях.

ВНИМАНИЕ! Не наклоняйтесь над грилем при розжиге древесного угля.

ВНИМАНИЕ! Зольник должен находиться на месте во время розжига и во время эксплуатации.

ПРЯМОЙ СПОСОБ ПРИГОТОВЛЕНИЯ	НЕПРЯМОЙ СПОСОБ ПРИГОТОВЛЕНИЯ
1. Полностью откройте вентиляционные отверстия, расположенные на крышке и опоре гриля. Снимите крышку и извлеките решётку для приготовления пищи.	1. Полностью откройте вентиляционные отверстия, расположенные на крышке и опоре гриля. Снимите крышку и извлеките решётку для приготовления пищи.
2. Убедитесь, что зола была удалена из зольника, и он был возвращён на место.	2. Убедитесь, что зола была удалена из зольника, и он был возвращён на место.
3. Гриль можно использовать как с, так и без, центрального отражателя воздуха. Отражатель обеспечивает более равномерную температуру и замедляет скорость сгорания угля в центре гриля. Используйте либо устройство для розжига древесных углей Ultrachef (не входит в комплект), следуя рекомендациям, расположенным в инструкции, либо поместите более легкие угли или скомканный кусок газеты на отражатель воздуха и рядом с ним. Поместите древесные угли в конусообразную кучку в центре установки на газете или на кубиках для розжига.	3. Снимите центральный отражатель воздуха и установите поддон. Поместите опциональные корзинки для древесного угля на поддон. Используйте либо устройство для розжига древесных углей Ultrachef (не входит в комплект), следуя рекомендациям, расположенным в инструкции, либо поместите кубики для розжига или скомканный кусок газеты в корзинку для древесного угля. Поместите древесные угли в корзинки на газету или на кубики для розжига.
4. Розожгите газету или кубики для розжига. Как только угли разгорелись, закройте гриль крышкой и позвольте древесным углям прогореть до образования тонкого слоя серой золы (примерно 20 минут).	4. Розожгите газету или кубики для розжига. Как только угли разгорелись, закройте гриль крышкой и позвольте древесным углям прогореть до образования тонкого слоя серой золы (примерно 20 минут).
5. Равномерно распространите древесные угли по поверхности решётки жаростойкими щипцами на длинной рукоятки (включая центральный отражатель воздуха).	



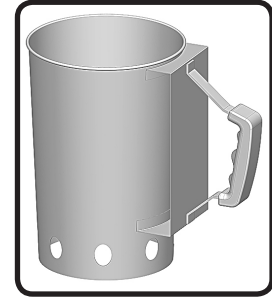
Жидкость для розжига можно использовать для розжига углей, но это не является лучшим способом. Может привести к образованию грязи и придать пище химический привкус, если жидкость не прогорит полностью во время прогрева. Когда угли разгорятся, добавлять жидкость для розжига не нужно. Храните ёмкость с жидкостью для розжига на расстоянии не менее 25 футов (7,6 м) от работающего гриля.



Практика безопасной эксплуатации устройства для розжига древесных углей **ВНИМАНИЕ!**

- Только для эксплуатации вне помещения.
- Используйте устройство для розжига древесных углей, только если оно установлено на решётке для углей, а гриль находится вне помещения на твёрдой, ровной и невоспламеняющейся поверхности.
- Ставьте устройство для розжига древесных углей на воспламеняющиеся поверхности только после его полного охлаждения.
- Не пользуйтесь жидкостью для розжига, бензином или самовоспламеняющимся древесным углём в устройстве для розжига древесных углей.
- Пользуйтесь устройством для розжига древесных углей только по назначению.
- Всегда используйте защитные перчатки при работе с устройством для розжига древесных углей.
- Не допускайте нахождения детей и домашних животных вблизи устройства для розжига древесных углей.
- Не пользуйтесь устройством для розжига древесных углей при сильном ветре.
- Не оставляйте работающее устройство для розжига древесных углей без присмотра.
- Не наклоняйтесь над устройством для розжига древесных углей во время розжига.
- Пользуйтесь устройством для розжига древесных углей только по назначению. Не пользуйтесь устройством для розжига древесных углей для приготовления пищи.
- Высыпать горящие угли из устройства для розжига древесных углей нужно с особой осторожностью.

РОЗЖИГА ДРЕВЕСНЫХ УГЛЕЙ



RU

Эксплуатация устройства для розжига древесных углей

- Переверните устройство для розжига древесных углей вверх дном.
- Скомкайте два газетных листа и заполните ими днище устройства для розжига древесных углей.
- Переверните устройство для розжига древесных углей и поставьте его в центре решётки для углей.
- Засыпьте подходящее количество древесных углей, но не переполните устройство.
- Зажгите спичку и поднесите её к одному из вентиляционных отверстий, расположенных у днища для розжига газеты.
- Когда верхний слой угля покроется тонким слоем серой золы, аккуратно высыпьте горящие древесные угли на решётку для углей (прямой способ приготовления) или в корзинку для древесного угля (непрямой способ приготовления).
- Как только горящие угли оказались в гриле, равномерно распространите древесные угли по поверхности решётки жаростойкими щипцами на длинной рукоятки.

Руководство по приготовлению пищи на древесных углях.

Приготовление пищи на древесных углях – проверенный временем метод. Тлеющие брикеты испускают инфракрасное излучение на приготавливаемую пищу, практически не подсушивая её. Все соки или масла, стекающие с приготавливаемой пищи, падают на угли и мгновенно испаряются, придавая пище незабываемый аромат. Факт налицо - гриль на древесных углях Napoleon обеспечивает приготовление наиболее сочных, вкусных стейков, гамбургеров и других блюд. Информация, касающаяся советов и времени приготовления, расположена в таблице приготовления пищи на древесных углях.

Таблица приготовления пищи, приведенная ниже, дает только общие рекомендации. На время приготовления влияют такие факторы, как высота над уровнем моря, температура окружающего воздуха, скорость и направление ветра, желаемое состояние готовности пищи. Пользуйтесь термометром для проверки готовности пищи.

Таблица приготовления пищи на древесных углях

Блюдо	Прямой / непрямой жар	Время приготовления	Полезные рекомендации
Стейк толщина - 1 дюйм (2,54 см)	Прямой жар	6-8 минут – средняя прожарка	При выборе мяса для гриля спрашивайте мраморное мясо с особым распределением жира. Жир применяется для смягчения мяса во время приготовления и помогает сохранять мясо сочным.
Гамбургер толщина - 1/2 дюйма (1,27 см)	Прямой жар	6-8 минут – средняя прожарка	Приготовление гамбургеров на заказ стало легче благодаря изменению толщины котлет. Для добавления мясу экзотического оттенка подбросьте опилок орешника на древесные угли.
Кусочки куриного мяса	Прямой жар примерно по 2 минуты с каждой стороны. Непрямой жар - оставшиеся 18 – 20 минут	20-25 минут	Нарезайте мясо с очищенной от кожи стороны на 3/4 от общего обхвата ноги, для более равномерного распределения мяса на гриле. Это позволяет готовить быстрее и более равномерно. Для добавления мясу фирменного вкуса подбросьте опилок мескита на древесные угли.
Свинья отбивная	Прямой жар	10-15 минут	Отрежьте лишний жир перед приготовлением. Чтобы мясо получилось более мягким, выбирайте куски потолще.
Свиные ребрышки	Прямой жар -примерно на 5 минут Непрямой жар – оставшееся время	1,5 - 2 часа часто переворачивать	Выбирайте более мясистые и нежирные ребрышки. Жарьте на гриле, пока мясо не будет с легкостью отделяться от костей.
Отбивные из молодой баранины	Прямой жар	25 - 30 минут	Отрежьте лишний жир перед приготовлением. Чтобы мясо получилось более мягким, выбирайте куски потолще.
Хот-доги	Прямой жар	4 - 6 минут	Выбирайте сосиски больших размеров. Перед приготовлением очистите от кожуры.

Рекомендации по приготовлению пищи

Первоначальный розжиг: При включении гриля в первый раз, присутствует слабый запах. Это обычное, временное явление, вызванное выжиганием внутренней краски и смазочных веществ, использованных при производстве, которое не случится повторно. Оставьте горелки включенными примерно на 30 минут, открыв крышку и вентиляционные отверстия, расположенные на опоре.

Эксплуатация гриля: Мы рекомендуем предварительно прогреть гриль, оставив работающий гриль при закрытой крышке приблизительно на 20 минут. Древесные угли готовы к приготовлению пищи, когда их покрывает слой серой золы. Пищу, которая готовится быстро (рыба, овощи), можно жарить при открытой крышке. Готовка при закрытой крышке обеспечивает более высокую температуру в гриле, что уменьшает время готовки и позволяет прожаривать мясо более равномерно. Для приготовления блюд из постного мяса, например куриной грудки или постной свинины, смазывайте решетку небольшим количеством масла перед нагреванием, чтобы избежать пригорания продуктов. Приготовление мяса с большим содержанием жира может привести к воспламенению стекающего жира. Чтобы этого избежать, отрежьте жир или уменьшите температуру. При воспламенении стекающего жира уберите приготавливаемую пищу с огня и уменьшите температуру (прикройте вентиляционные отверстия). Крышку держите открытой.

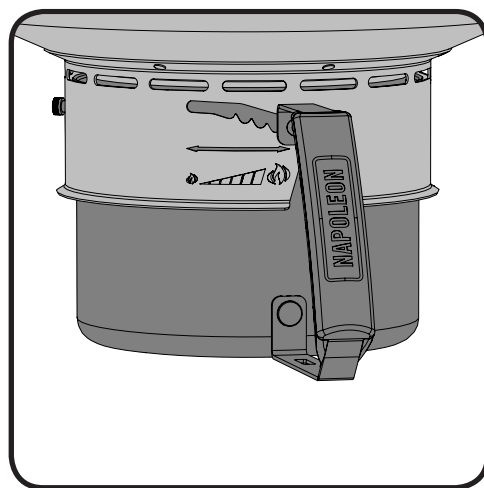
Как правило, 50 брикетов хватает на приготовление 2 фунтов (1 кг) пищи. Если приготовление пищи длится более 30 – 40 минут, следует добавить брикетов. Если погода холодная или ветреная, придётся добавить больше брикетов для достижения необходимой температуры приготовления пищи.

Добавление древесных углей во время приготовления пищи: Будьте осторожны во время добавления древесных углей во время приготовления пищи. При контакте свежего воздуха с углями может произойти выброс пламени. Отойдите на безопасное расстояние и воспользуйтесь жаростойкими щипцами на длинной рукоятки для добавления брикетов из древесного угля. С обеих сторон решётки для приготовления пищи расположены заслонки, предоставляющие доступ к решётке для древесного угля.

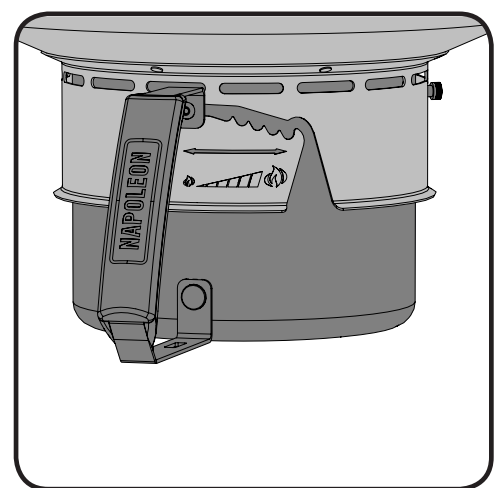


ВНИМАНИЕ! Не добавляйте жидкость для розжига древесных углей на горячие или тёплые угли. После того, как угли загорелись, жидкость для розжига древесных углей уже не нужна.

Эксплуатация вентиляционных отверстий: Убедитесь, что вентиляционные отверстия, расположенные на крышке, пропускают в гриль воздух. Кислород увеличивает температуру горения углей. Можно регулировать уровень температуры гриля, открывая или закрывая вентиляционные отверстия. Полное закрытие вентиляционных отверстий поможет потушить угли. Не закрывайте вентиляционные отверстия полностью, за исключением случаев, когда вы пытаетесь снизить температуру или потушить пламя.



**Открытое
вентиляционное
отверстие**



**Закрытое
вентиляционное
отверстие**



Меры предосторожности после использования гриля

ВНИМАНИЕ! Для защиты себя и своей собственности внимательно прочитайте и выполняйте следующие меры предосторожности.

- Закройте крышку гриля и все вентиляционные отверстия для тушения огня.
- Перед перемещением гриля позвольте ему окончательно остыть.
- Не оставляйте работающий гриль без присмотра. Перед перемещением установки убедитесь, что угли и зола окончательно потушены.
- Воспользуйтесь лопаткой или ковшом для удаления оставшихся углей и золы. Поместите их в контейнер из огнеупорного металла и залейте водой. Оставьте угли в контейнере на 24 часа, затем их можно утилизировать.

Инструкции по техническому обслуживанию/ чистке

Рекомендуем опорожнять зольник / поддон после каждого использования.



ВНИМАНИЕ! Перед тем как приступить к демонтажу деталей убедитесь, что гриль остыл и все угли окончательно потушены.



ВНИМАНИЕ! При чистке гриля всегда надевайте защитные перчатки и очки.



ВНИМАНИЕ! При чистке деталей гриля не пользуйтесь установками для мытья под давлением.



ВНИМАНИЕ! Во избежание ожогов надлежит проводить работы по уходу за грилем только после того, как он полностью остыл. Не дотрагивайтесь до горячих поверхностей. Чистите гриль там, где чистящие средства не нанесут вреда настилу, газону или террасе. Не пользуйтесь моющими средствами для духовки для чистки любых деталей гриля. Не пользуйтесь самоочищающейся духовкой для чистки решёток для приготовления пищи или других деталей гриля. Соус для барбекю и соль обладают коррозионными свойствами, способствующими образованию ржавчины, поэтому следует регулярно проводить чистку деталей гриля.

Решётки и нагревательная подставка: Решётки и нагревательную подставку лучше всего чистить латунной проволочной щёткой во время подогрева гриля. Стальную проволочную щётку можно использовать для удаления наиболее трудных пятен.

Чистка гриля изнутри: Снимите решётки для приготовления пищи. Удалите остатки с боков котла и внутренней стороны крышки латунной проволочной щёткой. Для надлежащей чистки заслонки следует воспользоваться шпателем или скребком, затем удалить золу латунной проволочной щёткой. При желании можно вымыть внутреннюю поверхность гриля мягким моющим средством и водой. После следует ополоснуть гриль водой и вытереть насухо.



ВНИМАНИЕ! Скопившийся жир представляет угрозу пожара. Регулярно чистите поддон во избежание скопления жира.

Зольник / поддон: Зола и капли жира проходят через зольник / поддон, расположенные под грилем, и скапливаются на древесном угле. Для проведения уборки отодвиньте поддон. Не выстилайте поддон алюминиевой фольгой, песком или другим материалом, так как это может помешать свободному перемещению жира. Для надлежащей чистки поддона следует воспользоваться шпателем или скребком, затем удалить золу латунной проволочной щёткой. Вымойте зольник / поддон мягким моющим средством и водой. После следует ополоснуть детали водой и вытереть насухо.

Чистка поверхности гриля: Не пользуйтесь абразивными чистящими средствами или стальную проволочную щётку для чистки керамических деталей или деталей из нержавеющей стали гриля Napoleon. Подобные методы уборки повреждают покрытие. Внешние поверхности гриля надлежит чистить тёплой мыльной водой, пока металл еще не окончательно остыл. Для чистки нержавеющей поверхностей пользуйтесь чистящим средством для нержавеющей стали или неабразивным чистящим средством. Всегда вытирайте поверхность по направлению зерен. Со временем детали из нержавеющей стали теряют окраску и приобретают золотой или коричневый оттенок. Потеря цвета не влияет на работоспособность гриля. Обращайтесь с деталями с керамической эмалью с особой осторожностью. Глазурованное декоративное покрытие, закреплённое горячей сушкой, напоминает стекло, и от удара может расколоться. При необходимости, Napoleon производит ремонт керамического покрытия.

Чугунные решетки: Чугунные барбекю-решетки, входящие в комплектацию Вашего нового гриля, превосходно удерживают и распределяют тепло. Регулярное смазывание решеток обеспечит защитное покрытие, которое поможет избежать коррозии и увеличить антипригарные свойства решеток.

Первоначальное использование: Вручную помойте решетки с использованием мягкого средства для мытья посуды, чтобы удалить все вещества, оставшиеся в процессе производства (не используйте посудомоечную машину). Сполосните горячей водой и насухо вытрите мягкой тряпочкой. Не оставляйте остатков влаги на чугуне.

Смазывание: При помощи сухой тряпки распределите растительный маргарин по всей поверхности решетки так, чтобы покрыть все отверстия и углы. Не используйте соленые жиры, такие как соленое масло или соленый маргарин. Предварительно разогрейте гриль в течение 15 минут, затем положите смазанную решетку на гриль. Поставьте ручки горелки в среднее положение при закрытой крышке. Оставьте решетки прогреваться на полчаса. Выключите горелки и отключите подачу газа. Решетки должны остыть. Эту процедуру следует повторять несколько раз в течение сезона, хотя ежедневное ее применение не обязательно (следуйте инструкциям по ежедневному уходу, приведенным ниже).

Ежедневное использование: Перед предварительным прогревом и очисткой при помощи щетки из медной проволоки, покройте всю поверхность решеток растительным маргарином. Разогрейте гриль и удалите загрязнения при помощи щетки из медной проволоки.

RU

Поиск и устранение неисправностей

Неисправность	Возможная причина	Способ устранения неисправности
Низкий уровень температуры / пламени.	Ненадлежащий прогрев Ненадлежащий обдув. Недостаточно древесного угля. Крышку открывают слишком часто.	Позвольте древесным углям гореть, пока их не будет покрывать слой серой золы. (примерно 20 – 25 минут). Откройте вентиляционные отверстия. Добавьте древесного угля на решётку для угля. Готовьте при закрытой крышке. При каждом открытии крышки температура падает. Это замедляет процесс приготовления пищи.
Чрезмерные выбросы пламени / неравномерный жар.	Ненадлежащий прогрев. Излишки жира и отложения золы на зольнике и поддоне.	Проведите прогрев гриля при закрытой крышке в течение 20 - 25 минут и равномерно распределите угли по поверхности решётки. Регулярно проводите чистку зольника и поддона. Не выстилайте поддон алюминиевой фольгой. Смотрите раздел по чистке.
Внутри крышки или колпака отслаивается краска.	Скопление жира на внутренних поверхностях.	Это не является дефектом. Покрытие крышки и колпака выполнено из керамики и не может отслоиться. Затвердевший жир принимает формы, похожие на куски отслаивающейся краски. Легко устраняется обычной чисткой. Смотрите указания по чистке.

Краткие сведения о приготовлении пищи на древесных углях

Розжиг вашего гриля

- Перед первым приготовлением пищи на гриле позвольте ему работать на протяжении 30 минут при открытой крышке и открытых вентиляционных отверстиях, расположенных на опоре. Это выжжет внутреннюю краску и смазочные вещества, использованные при производстве.
- Полностью открывайте вентиляционные отверстия, расположенные на крышке, при каждом розжиге гриля.
- Убедитесь в том, что зола была удалена из зольника и зольник был возвращён на место.
- Гриль можно использовать как с, так и без, центрального отражателя воздуха. Отражатель обеспечивает более равномерную температуру и замедляет скорость сгорания угля в центре гриля.
- Используйте либо устройство для розжига древесных углей Ultrachef (не входит в комплект), следуя рекомендациям инструкции, либо поместите более легкие угли или скомканный кусок газеты на отражатель воздуха и рядом с ним. Поместите древесные угли в конусообразную кучку в центре установки (прямой способ приготовления) или в дополнительную корзинку для древесного угля (непрямой способ приготовления).
- Как только угли разгорелись, закройте гриль крышкой и позвольте древесным углям прогореть до образования тонкого слоя серой золы (примерно 20 минут), распространите древесные угли по поверхности решётки в соответствии с методом приготовления пищи.
- Жидкость для розжига можно использовать для розжига углей, но это не является лучшим способом. Может привести к образованию грязи и придать пище химический привкус, если жидкость не прогорит полностью во время прогрева. Как только угли разгорелись, добавлять жидкость для розжига не нужно. Храните ёмкость с жидкостью для розжига на расстоянии не менее 25 футов (7,6 м) от работающего гриля.
- Дополнительный аромат дымка приобретается при применении древесных щепок, которые в ассортименте предложит ваш дилер компании Napoleon.

Приготовление пищи на вашем гриле

- Мы рекомендуем предварительно прогреть гриль, оставив работающий гриль при закрытой крышке приблизительно на 20 минут. Древесные угли готовы к приготовлению пищи, когда их покрывает слой серой золы.
- Как правило, 50 брикетов хватает на приготовление 2 фунтов (1 кг) пищи. Если приготовление пищи длится более 30 – 40 минут, следует добавить брикетов. Если погода холодная или ветреная, придётся добавить больше брикетов для достижения необходимой температуры приготовления пищи.
- Будьте осторожны во время добавления древесных углей во время приготовления пищи. При контакте свежего воздуха с углями может произойти выброс пламени. Отойдите на безопасное расстояние и воспользуйтесь жаростойкими щипцами на длинной рукоятки для добавления брикетов из древесного угля.
- Убедитесь, что вентиляционные отверстия, расположенные на крышке, пропускают воздух в гриль. Кислород увеличивает температуру горения углей. Можно регулировать уровень температуры гриля, открывая или закрывая вентиляционные отверстия.
- Готовьте при закрытой крышке. При каждом открытии крышки температура падает. Это увеличивает время приготовления пищи.
- Полное закрытие вентиляционных отверстий поможет потушить угли. Не закрывайте вентиляционные отверстия полностью, за исключением случаев, когда вы пытаетесь снизить температуру или потушить пламя.
- Смазывайте решетку для приготовления небольшим количеством масла перед нагреванием, чтобы избежать пригорания продуктов.
- Пользуйтесь термощупом для проверки готовности пищи.

Чистка гриля

- Закройте крышку гриля и все вентиляционные отверстия для тушения огня.
- Перед перемещением гриля позвольте ему окончательно остыть.
- Не оставляйте работающий гриль без присмотра. Перед перемещением установки убедитесь, что угли и зола окончательно потушены.
- Воспользуйтесь лопаточкой или ковшом для удаления оставшихся углей и золы. Поместите их в контейнер из огнеупорного металла и залейте водой. Оставьте угли в контейнере на 24 часа, затем их можно утилизировать.
- Удалите нежелательные остатки латунной проволочной щёткой с боков котла и под крышкой.
- Вымойте внутреннюю поверхность гриля мягким моющим средством и водой. После следует ополоснуть детали водой и вытереть насухо.
- Обращаетесь с деталями с керамическим покрытием с особой осторожностью. Раскалённое керамическое покрытие достаточно хрупкое и от удара может расколоться. Поставщик гриля Napoleon производит ремонт керамических покрытий.

ХРАНИТЕ ТОВАРНЫЙ ЧЕК КАК ДОКАЗАТЕЛЬСТВО ПОКУПКИ, ПОДТВЕРЖДАЮЩЕЕ ВАШЕ ГАРАНТИЙНОЕ СОГЛАШЕНИЕ

Заказ запасных деталей

Гарантийная информация

МОДЕЛЬ: _____

ДАТА ПРИОБРЕТЕНИЯ: _____

СЕРИЙНЫЙ НОМЕР: _____

(Дайте информацию для упрощения процедуры обработки запроса)

Перед тем как связываться с отделом работы с клиентами, проверьте сайт Napoleon (расположенный по адресу www.napoleongrills.com) на предмет указаний по более интенсивной чистке, техническому обслуживанию, обнаружению и устранению неполадок и замены деталей. Напрямую свяжитесь с заводом для замены деталей и проведения работ по гарантии. Свяжитесь напрямую с дистрибьютером в вашей стране (перечень дистрибьютеров с контактами указан в руководстве пользователя поставляемом вместе с грилем) по вопросам гарантийных случаев и предоставлению запасных частей.

Данные детали в отдел по работе с клиентами высылаются оплаченной посылкой со следующей информацией:

1. Модель и серийный номер установки.
2. Номер детали и её описание.
3. краткое описание неисправности (например, 'деталь сломалась' не является таковым)
4. Доказательство владения (фотокопия реквизитов).

В некоторых случаях представитель отдела работы с клиентами может попросить вернуть деталь на завод для проведения осмотра перед заменой детали. Данные детали высылаются с предварительной в отдел работы с клиентами со следующей приложенной информацией:

1. Модель и серийный номер установки.
2. Краткое описание неисправности (например, 'деталь сломалась' не является таковым)
3. Доказательство владения (фотокопия реквизитов).
4. Номер разрешения на возврат – предоставляется представителем отдела работы с клиентом.

Перед тем, как связываться с отделом работы с клиентами, пожалуйста, примите к сведению, что на следующие расходы не распространяется гарантия.

- Издержки по перевозке, фрахтовой комиссии или экспортным сборам.
- Оплата работ по демонтажу и установке.
- Оплата звонков в техническую поддержку.
- Потеря окраски деталей из нержавеющей стали.
- Неисправность детали, связанная с чисткой и уходом, или использованием ненадлежащих чистящих средств (посудомоечных машин).

Notes

RU

MONTÁŽ POUŽITÍ A ÚDRŽBA

Tento gril musí být používán pouze venku na dobře větraném místě
Uschovejte tento návod pro pozdější použití.

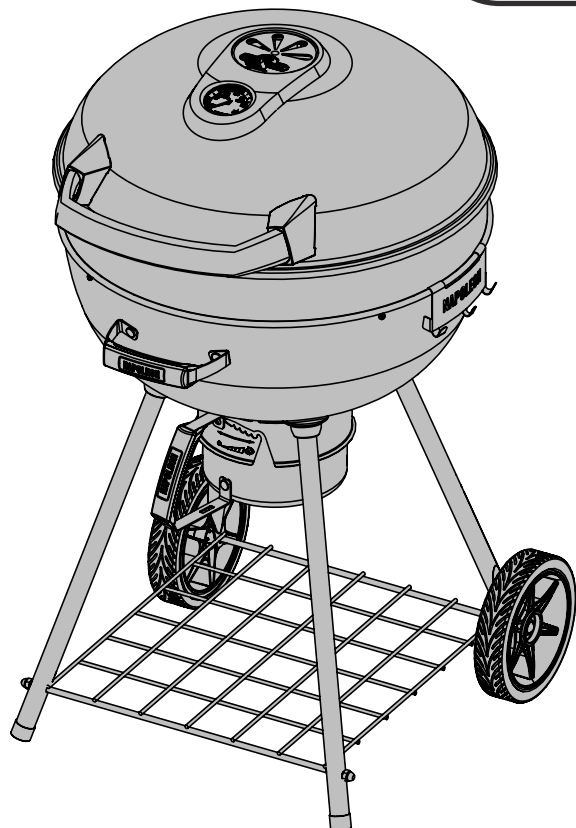
VENKOVNÍ GRIL NA DŘEVĚNÉ UHLÍ



Použijte štítek se sériovým číslem z kartonu



Výrobní číslo.
XXXXXXXX00000
Model č.



NEVYHAZUJTE

PRO22K-LEG-2

CZ



VAROVÁNÍ

Nesnažte se zažehnout tento spotřebič bez čtení "ZAPALOVACÍCH" instrukcí v tomto návodu.



NEBEZPEČÍ

Spalování uhlí vydává oxid uhelnatý. Nepalte uhlí uvnitř domů, garáží, stanů, vozidel nebo jiných uzavřených prostor.



VAROVÁNÍ! Nedodržení těchto pokynů může mít za následek vznik požáru, vážné zranění nebo smrt.

Wolf Steel Europe BV
Poppenbouwing 29-31, 4191 NZ Geldermalsen,
CCI No. 51509970, THE NETHERLANDS
info@napoleongrills.nl

Napoleon Presidentská 10-letá Omezená Záruka



Výrobky NAPOLEON jsou navrženy s vynikajícími součástmi a materiály a jsou sestaveny školеныmi řemeslníky, kteří se pyšní svou prací. Tento produkt byl před balením a přepravou důkladně prohlédnut kvalifikovaným technikem, aby se zajistilo, že zákazník obdrží kvalitní výrobek, který od společnosti NAPOLEON očekáváte.

NAPOLEON ručí za komponenty Vašeho nového produktu Napoleon z hlediska vady materiálu a zpracování od data prodeje po následující období:

Smaltované víko a kotel	10 let
Větrací ovládací systém	5 let plné krytí, plus do 10.roku sleva 50% na díl
Smaltované litinové grilovací rošty	5 let plné krytí, plus do 10.roku sleva 50% na díl
Chromované grilovací rošty	3 roky plné krytí, plus do 10.roku sleva 50% na díl
Všechny ostatní díly	2 roky

*Podmínky a omezení

Tato omezená záruka vytváří záruční lhůtu, jak je uvedena ve výše uvedené tabulce, pro produkt zakoupený prostřednictvím autorizovaného prodejce NAPOLEON a opravňuje původního kupujícího ke stanovenému krytí v záruční době, a to buď společností NAPOLEON nebo autorizovaným prodejcem společnosti NAPOLEON, aby nahradil součást takového výrobku, který selhal při běžném soukromém použití v důsledku výrobní vady. "50% sleva" uvedená v tabulce znamená, že součástka je k dispozici kupujícímu za 50% slevu z běžné maloobchodní ceny komponentu v uvedeném období. Tato omezená záruka se nevztahuje na příslušenství nebo bonusové položky.

Na vysvětlenou "běžná soukromá potřeba" výrobku znamená, že výrobek: byl nainstalován autorizovaným servisním technikem nebo dodavatelem v souladu s pokyny k instalaci, které jsou součástí výrobku a všemi místními a národními předpisy pro budovy a protipožární ochranu; byly řádně dodrženy; a výrobek nebyl používán jako komunální zařízení nebo v komerční sféře.

Záruka také nezahrnuje: přetopení, nestandardní hoření způsobené okolními podmínkami, jako je silný vítr nebo nedostatečná ventilace, škrábance, promáčkliny, korozi, poleptání nátěrů, zbarvení způsobené teplem, abrazivními nebo chemickými čisticími prostředky nebo působením UV záření, rozbití porcelánových či smaltovaných částí nebo škody způsobené nesprávným použitím, nehodou, krupobitím, hašením požáru, nedostatečnou údržbou, nevhodným působením či prostředím jako je sůl nebo chlor, změny, úpravy, zanedbání nebo části instalované od jiných výrobců. Pokud dojde k poškození částí, které by již nebylo možno používat (proreznutí nebo prohoření) během doby trvání oprávněné záruky, bude poskytnut náhradní díl.

Náhradní díl je výhradní odpovědností společnosti NAPOLEON definované touto omezenou zárukou. V žádném případě NAPOLEON nenese odpovědnost za instalaci, práci nebo jiné náklady nebo výdaje související s opětovným instalováním dílu v záruce, za jakékoli vedlejší, následné nebo nepřímé škody nebo za přepravní poplatky, náklady na pracovní sílu nebo vývozní cla.

Tato omezená záruka je poskytována vedle všech práv, která vám jsou poskytována místními zákony. Proto tato omezená záruka nestanoví společností NAPOLEON žádnou povinnost udržovat díly na skladě. Na základě dostupnosti náhradních dílů může společnost NAPOLEON podle svého uvážení splnit všechny povinnosti tím, že poskytne zákazníkovi poměrný kredit k novému produktu. Po prvním roce s ohledem na tuto omezenou záruku může společnost NAPOLEON podle svého uvážení plně splnit všechny závazky vyplývající z této záruky tím, že vrátí původnímu oprávněnému kupujícímu velkoobchodní cenu jakékoliv vadné části v záruce.

Prodejní doklad nebo kopie budou vyžadovány společně se sériovým číslem a číslem modelu při podávání záručních nároků společností NAPOLEON.

Společnost NAPOLEON si vyhrazuje právo nechat svého zástupce prověřit jakýkoli výrobek nebo součást před tím, než uhradí nárok na záruku. Obrátte se na svého autorizovaného prodejce Napoleon popřípadě přímo na servis dovozce NAPOLEON, abyste získali nárok na záruční plnění.

Pozn.: doživotní zárukou se myslí neomezená doba, po kterou bude produkt používán prvním a původním majitelem resp. kupujícím



napoleongrills.com



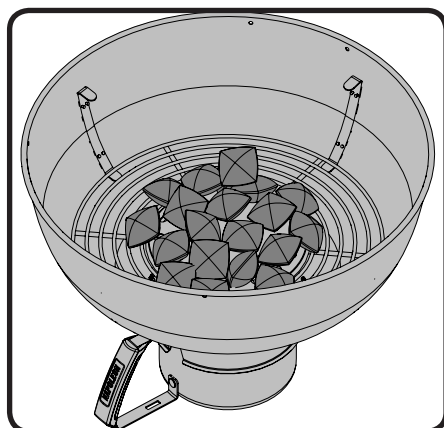
VAROVÁNÍ! Nedodržení těchto pokynů může mít za následek poškození majetku, riziko úrazu nebo smrt. Přečtěte si a dodržujte všechna varování a pokyny uvedené v této příručce před operací s grilem.

Bezpečnostní postupy:

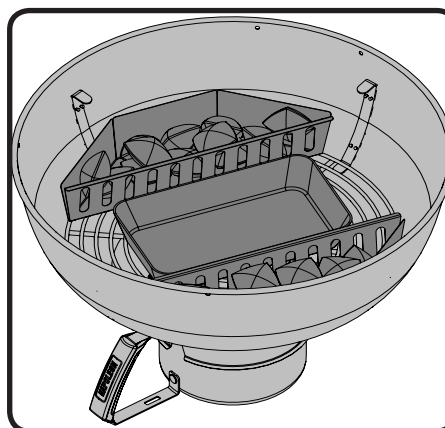
- Přečtěte si celý návod před použitím grilu.
- Řiďte se pokyny pro zažehnutí grilu.
- Nezapalujte uhelný gril s uzavřeným víkem.
- Nenaklánejte se přes gril při zapalování či hoření.
- Nepoužívejte benzín, alkohol či jiné vznětlivé látky pro zapalování uhlí. Použijte POUZE starter na uhlí určený pro rozpálení uhlí. Ujistěte se před zapálením grilu, že se v něm nenacházejí žádné tekuté látky.
- Tekutina pro lepší hoření uhlí nesmí být používána na horké ani teplé uhlí.
- Po a před zapálením musí být tekutina pro snadnější zapálení uhlí uložena na bezpečném místě mimo gril (minimálně 7.6m).
- Dejte pozor na horký gril před dětmi a zvířaty, NEDOVOLTE dětem lést po a do skříně grilu.
- Nenechávejte gril v provozu bez dozoru.
- Nepohybuje s grilem, pokud je horký nebo v provozu.
- Tento gril nesmí být instalován v rekreačních vozidlech nebo lodích.
- Tento gril musí být skladován venku v dobře větraném prostoru a nesmí být použit uvnitř budovy, garáže, stíněné verandě, altánu nebo v jiných uzavřených prostorech.
- Udržujte správnou vzdálenost od hořlaviny, ze všech stran 1,5 metru. Tato vzdálenost se doporučuje také v případě vinilových desek či skleněných tabulí. Gril se nesmí používat na hořlavých plochách (dřevěné nebo kombinované plošiny či verandy).
- Za všech okolností zachovat větrací otvory volné a i bez nečistot.
- Nepoužívejte zařízení pod hořlavou konstrukcí.
- Nepoužívejte zařízení pod nízkou stropní konstrukcí, přístřešky, markýzy nebo převisy.
- Neumísťujte do větrného prostředí. Silný vítr má nepříznivý vliv na výkon grilu.
- Víko grilu by mělo být při zahřívání grilu uzavřeno.
- Při používání grilu musí být instalován jak zásobník na popel tak na odkapávací tuk.
- Čistěte zásobník popela a tuku pravidelně, aby se zabránilo přeplnění, což by mohlo vest až k požáru.
- Nepoužívejte boční police pro uložení zapalovače, zápalek nebo jiných hořlaviny.
- Gril by měl být za všech okolností na vodorovném povrchu.
- Nepoužívejte vodu k hašení uhlí či zchlazení grilu, mohlo by dojít k jeho poškození včetně povrchové úpravy.
- Chcete-li regulovat plameny, lehce zavírejte otvry na grilu. Chcete-li uhlí zcela uhasit, zavřete všechny větrací otvory a přiklopte víko.
- Při manipulaci s grilem či grilování používejte dlouhé tepluodolné rukavice.
- Používejte grilovací rukavice či podložky k ochraně rukou při grilování či nastavování grilu.
- Nevyjímejte popel z grilu, dokud nebude opět studené. Dodržte tedy dostatečný čas pro vychladnutí.
- Zbývající uhlí a popel musí být odstraněn z grilu a uložen v nehořlavé kovové nádobě. Zde by měl zůstat po dobu 24 hodin před další likvidací.
- Udržujte elektrické napájecí kabely od vody nebo horkých ploch.
- Spalování uhlí vytváří vedlejší produkty, z nich některé jsou škodlivé. Při vaření s dřevěným uhlím tedy vždy zajistěte dostatečnou ventilaci, aby se minimalizovala koncentrace těchto látek.

Zažehávací pokyny

PŘÍMÉ VAŘENÍ



NEPŘÍMÉ VAŘENÍ



CZ

Použití uhlí

Rozměr grilu	Metoda vaření	Doporučené množství uhlí
22" (56cm)	Přímá	50
22" (56cm)	Nepřímá	25 pro stranu *(a přidá se 8 na každé straně pro každou další hodinu vaření)

*doporučená množství uhlí jsou orientační, delší vaření vyžaduje další dřevěné uhlí, které se musí doplňovat. Stejně tak pokud bude chladněji či větrno, bude zapotřebí více uhlí pro dostažní ideální teploty vaření.



POZOR! Otevřete víko.

POZOR! Umístěte gril venku na pevném, rovném a nehořlavém podkladu. Nikdy nepoužívejte gril na dřevěných nebo jiných hořlavých plochách.

POZOR! Nenaklánějte gril pokud je žhavé uhlí.

POZOR! Popelník musí být během provozu nasazen a používán.

PŘÍMÁ METODA GRILOVÁNÍ	NEPŘÍMÁ METODA GRILOVÁNÍ
1. Otevřete plně větrací otvor na víku a v základně. Sejměte víko grilu a vyjměte grilovací rošt.	1. Otevřete plně větrací otvor na víku a v základně. Sejměte víko grilu a vyjměte grilovací rošt.
2. Ujistěte se, že je popel a zásobník je vyčištěn a poté ho nainstalujte zpět.	2. Ujistěte se, že je popel a zásobník je vyčištěn a poté ho nainstalujte zpět.
3. Gril může být použit bez centrálního deflektoru vzduchu. Deflektor zajišťuje rovnoměrnější teplotu a zpomaluje rychlost spálení ve středu roštu. Pro start grilu doporučujeme použít startovací nádobu (není součástí) dle pokynů uvedených v návodu nebo umístěte lihové kostky či zmačkané noviny na a kolem deflektoru vzduchu. Uhlí umístěte na hromádku ve tvaru kužele ve středu jednotky na tyto noviny či lihové kostky.	3. Odstraňte centrální deflektor a umístěte odkapávací vaničku. Instalujte volitelné košíky na uhlí na obou stranách od odkapové vaničky. Pro start grilu doporučujeme použít startovací nádobu (není součástí) dle pokynů uvedených v návodu nebo umístěte lihové kostky či zmačkané noviny do košíků na uhlí. Potom nasypete do košíků uhlí.
4. Zapalte noviny nebo lihové kostky. Po úplném zapálení zavřete víko a nechte uhlí hořet, dokud nebude pokryto světle šedým popelem (cca. 20 minut).	4. Zapalte noviny nebo lihové kostky. Po úplném zapálení zavřete víko a nechte uhlí hořet, dokud nebude pokryto světle šedým popelem (cca. 20 minut).
5. Pomocí dlouhých žáruvzdorných kleští rovnoměrně rozhrňte uhlí po celé ploše roštu (včetně středu deflektoru vzduchu).	



Startovací kapalina může být použita k zapálení uhlí, ale není to preferovaný způsob. Může to ovlivnit vůni a chuť následného pokrmu. Jakmile uhlí hoří, nikdy nepřidávejte další startovací kapalinu. Takovou kapalinu uchovávejte alespoň 7,5 m od spuštěného grilu.

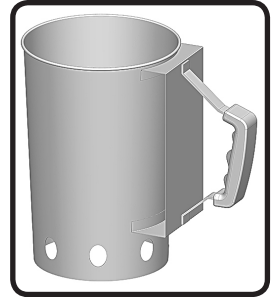


Bezpečnostní postup pro "starter" dřevěného uhlí

POZOR!

- Pouze pro venkovní použití.
- Nepoužívejte starter pokud není umístěn na rovném, pevném a nehořlavém podkladu. To same platí o samotném grilu.
- Neodkládejte použitý starter na hořlavé místo dokud není úplně studený.
- Nepoužívejte starter v silném větru.
- Nepoužívejte do starteru benzín do zapalovačů nebo vlastní žhavé uhlí.
- Používejte starter pouze k roztápní uhlí pro uhelný gril.
- Vždy používejte ochranné rukavice při manipulaci se starterem.
- Vždy dávejte pozor na děti a zvířata během používání starteru.
- Nenechávejte starter v provozu bez dozoru.
- Nenaklánějte se při používání starteru nad něj.
- Nikdy nepoužívejte starter na jiné účely než rozpalování uhlí pro gril. Nepoužívejte ani k přípravě pokrmů.
- Budte velmi opatrní při přesypávání rozpáleného uhlí do grilu.

"STARTER" DŘEVĚNÉHO UHLÍ



CZ

Použití starter dřevěného uhlí

- Otočte starter dnem vzhůru.
- Nacpěte dva zmačkané listy novinového papíru do jeho spodní části.
- Otočte ho do správné polohy a umístěte na střed roštu uhlí uvnitř grilu.
- Přidejte odpovídající množství uhlí a nepřepněte.
- Zapalte zápalku a vložte jí do jednoho ze spodních větracích otvorů a zapalte noviny.
- Jakmile se na vrchní vrstvě uhlí začne objevovat šedý popel, s pomocí ochranných rukavic opatrně nasypete rožhavené uhlí na uhelný rošt (přímá metoda pečení), nebo místo do koše do bočních misek na dřevěné uhlí (nepřímá metoda).
- Jakmile je uhlí v grilu, rozhrňte ho rovnoměrně pomocí dlouhých tepelně odolných kleští.

Průvodce grilováním na dřevěném uhlí

Grilování na dřevěném uhlí je tradiční způsob vaření, na který jsme všichni zvyklí. Žhnoucí brikety vyzařují infračervenou energii na pokrm, který se peče, a to s velmi malou účinností sušení. Jakékoliv šťávy nebo oleje, které utíkají z potravin a kapají dolů na uhlí a odpařují ho do kouře, dává pokrmu jeho lahodnou grilovanou chuť. Pointa je, že Napoleon grily na dřevěné uhlí vytváří žár pro šťavnatější hamburger, chutnější steak, maso a další. Bližší informace o vaření a zajímavé tipy naleznete na našich webových stránkách.

Následující tabulka grilování má být pouze vodítkem. Časy vaření jsou ovlivněny takovými faktory, jako nadmořská výška, vnější teplota, vítr a požadovaný stupeň vaření, což se odrazí ve vašem vaření. Používejte teploměr na maso, aby potraviny byly přiměřeně vařené.

Grilovací schéma

Pokrm	Přímé/Nepřímé grilování	Doba vaření	Užitečné tipy
Steak tloušťka 2.54cm	přímé	6-8 min.– Medium	Při výběru masa pro grilování se ptejte na maso s mramorovým rozložením tuku. Tuk působí jako přírodní tenderizer a udržuje ho vlhké a šťavnaté.
Hamburger tloušťka 1.27cm	přímé	6-8 min.– Medium	Příprava hamburger je jednodušší změnu tloušťky. Chcete-li přidat exotickou chuť do masa, zkuste přidat dřevěné lupínky Ořechu na dřevěné uhlí.
Kuřecí kousky	Přímé cca. 2 min na stranu. Zbytek nepřímé až 18-20 minut.	20-25 min.	Kloub spojující stehna a nohu od boku bez kůže by měl být z ¾ nakrojený, aby se lépe maso položilo na plochu roštu. To pomůže vařit rychleji a rovnoměrněji. Chcete-li mít vlastní chuť, zkuste přidat dřevěné šupiny Mesquite na dřevěné uhlí.
Vepřové kotlety	přímé	10-15 min.	Odstraňte přebytečný tuk před grilováním. Zvolte silnější kotlety pro lepší výsledek.
Vepřová žebírka	Přímé na 5 min. Nepřímé zbytek	1.5-2 hrs. turning often	Vyberte si žebra, které jsou štíhlé a masité. Grilujte dokud nejde maso lehce od kosti.
Jehněčí kotletky	Přímé	25-30 min.	Odstraňte přebytečný tuk před grilováním. Zvolte silnější kotlety pro lepší výsledek.
Hot dogs	Přímé	4-6 min.	Zvolte větší velikost párků. Před grilováním rozřízněte podélně kůži.

Instrukce k vaření

Počáteční zapálení: když zapalujeme poprvé, gril vydává mírný zápach. To je normální dočasný stav způsobený "vypálením" vnitřních nátěrových hmot a maziv používaných ve výrobním procesu a nebude se znovu opakovat. Proto ponechte gril rozpálit na vysokou teplotu asi po dobu 30 minut s otevřeným víkem a zcela otevřenými průduchy.

Použití grilu: doporučujeme předehřát gril s uzavřeným víkem po dobu 20 minut. Uhlí je připraveno, pokud je na něm tenká vrstva šedého popelu. Pokrm vařený po krátkou dobu (ryby, zelenina) mohou být připravovány bez víka. Vaření s uzavřeným víkem zajišťuje vyšší teploty, které sníží čas pečení vaří rovnoměrněji. Při přípravě velmi libového masa jako jsou kuřecí prsa nebo libové vepřové, můžeme rošt naolejovat a tím snížit přilepení. Příprava masa s vysokým obsahem tuku může způsobit vzplanutí. Toto redukuje odstaněním tuku, snížením teploty nebo přesunutím masa na jiné místo grilu, popř. přivřít větrací otvory. Víko nechte otevřené.

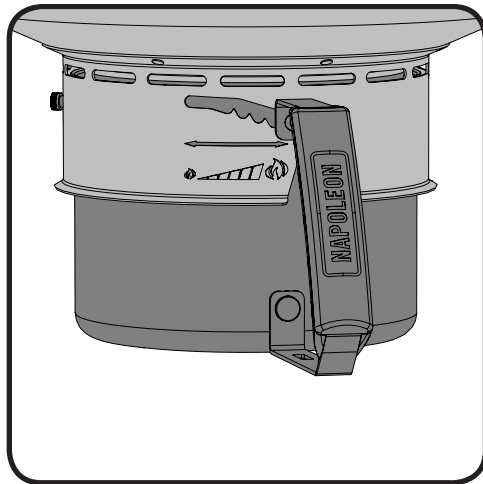
Jako obecné pravidlo platí že na 1 kg masa spotřebujete asi 50 briket uhlí. Je-li vaření delší než 30 až 40 minut, bude zapotřebí přidávat nové briкеты do ohniště. Pokud je venku zima nebo větrno, budete potřebovat více briket pro dosažení ideální teploty pro vaření.

Přidání dřevěného uhlí během vaření: buďte opatrní při přidávání uhlí na gril. Pokud uhlíky přijdou do styku s čerstvým vzduchem, pozor na vzplanutí. Odstupte na bezpečnou vzdálenost a pro přidání uhlí použijte nářadí s dlouhou rukojetí. Na obou stranách varného roštu jsou otvory pro přístup k uhelnému roštu.

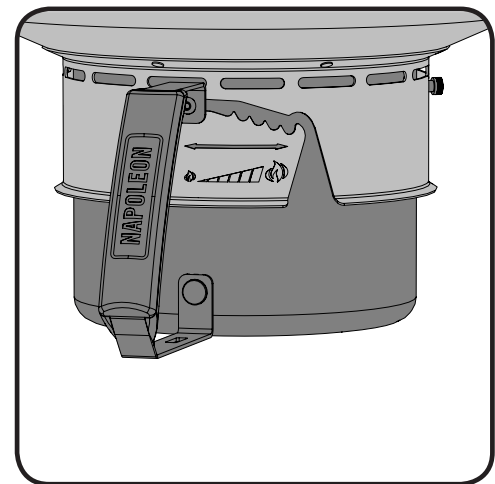


UPOZORNĚNÍ! Nikdy nepřidávejte na uhlí startovací tekutinu, pokud je teplé. Jakmile se uhlí zapálí, není už tekutina zapotřebí.

Používání větracích otvorů: otvory na krytém venkovním grilu jsou obvykle ponechány otevřené, aby mohl vzduch do grilu. Vzduch zvyšuje spalování a teplotu uhlí. Teplotu můžete regulovat posunutím větracích otvorů otočením vlevo či vpravo. Uzavření otvorů může částečně nebo úplně ochladit uhlí. Pokud chcete ochladit nebo uhasit plamen či uhlí, nezavírejte úplně všechny větrací ventily.



Otevřete vzduchové otvory



Zavřít větrací otvory

Bezpečnostní pokyny po použití



VAROVÁNÍ! Chcete-li chránit sebe a svůj majetek před poškozením, pečlivě dodržujte následující bezpečnostní opatření.

- Zavřete víko grilu a všechny otvory pro uhašení ohně
- Vždy nechte gril vychladnout před další manipulací
- Nikdy nenechávejte uhlíky a popel na grilu bez dozoru. Ujistěte se, že uhlíky a popel je před odstraněním zcela uhašen.
- Použijte kovové špachtle nebo lopatky k odstranění zbývajících uhlí a popelu z grilu. Umístěte ho do nehořlavé kovové nádoby a zalijte vodou. Nechte to odstát dalších 24 hodin před další likvidací.

Údržba/návod na čištění

Doporučuje se, aby popelník byl vyprázdňen po každém použití.



CZ

VAROVÁNÍ! Ujistěte se, že gril je v pořádku a všechny uhlíky jsou kompletně uhašeny před odebráním jakékoliv části z vašeho grilu.

VAROVÁNÍ! Při čištění vašeho grilu vždy používejte ochranné rukavice a ochranné brýle.

VAROVÁNÍ! Nepoužívejte tlakovou myčku na čištění jakékoliv části grilu.

VAROVÁNÍ! Aby se zabránilo možnosti popálení, provádějte údržbu pouze tehdy, když je gril vychladnutý. Vyhněte se nechráněnému kontaktu s horkými povrchy. Vyčistěte mřížku v oblasti, kde čistící roztoky nepoškodí paluby, trávnický, nebo terasy. Nepoužívejte čističe trouby k čištění jakékoli části tohoto grilu. Barbecue omáčka a sůl může být žíravá a může způsobit rychlé zhoršování prvků mřížky, pokud nebudou pravidelně čištěny.

Mřížky a oteplování Rack: Mřížka a desky se čistí nejlépe kartáčem s mosazným drátem po vypálení grilu. Ocelový kartáč je vhodný pro silné/odolné znečištění.

Čištění vnitřku grilu: vyjměte mřížky vaření. Použijte mosazný drátěný kartáč pro čištění uvolněné nečistoty z mísy a vnitřku víka. Můžete též použít škrabku, na odstranění popela použijte drátěný kartáč. Zameťte všechny nečistoty z vnitřku grilu do vyjímatelné odkapávací misky. V případě potřeby můžete vnitřek grilu umýt vodou s jemným mycím prostředkem. Poté důkladně opláchněte čistou vodou a vytřete do sucha.



VAROVÁNÍ! Nahromaděný tuk je nebezpečný kvůli požáru. Vyčistěte odkapávací misku po každém použití, aby se zabránilo hromadění mastnoty.

Odkapávací miska na popel a tuk: Popel, mastnotu a zbytkový tuk se zachycuje v odkapávací misce. K čištění posuňte misku. Nikdy na misku s hliníkovou fólií nepoužívejte písek nebo jiný materiál, protože by to mohlo zabránit odtékání tuku. Miska by měla být vyškrábnuta stěrkou nebo škrabkou, a všechny nečistoty smeteny do nehořlavé kovové nádoby. Umyjte odkapávací plech jemným mycím prostředkem a vodou. Důkladně opláchněte čistou vodou a vytřete do sucha.

Čištění vnějšího povrchu grilu: Nepoužívejte abrazivní čistící prostředky ani drátěnku na jakémkoliv lakovaném, porcelánovém nebo nerezovém povrchu vašeho Grilu Napoleon. Pokud tak učiníte, poškrábete povrch grilu. Vnější grilovací plocha by měla být čistěna výhradně teplou mýdlovou vodou. K čištění nerezových ploch, použijte neabrazivní čistič. Vždy otírejte ve směru vláken. V průběhu používání mohou nerezové díly změnit po zahřátí barvy, obvykle do zlatého nebo hnědého odstínu. Toto zbarvení je normální a nemá to vliv na výkon a funkci grilu. Se smaltovými komponenty je nutno zacházet s opatrností. Originál čistící prostředky můžete zakoupit u Vašeho prodejce NAPOLEON.

Litinové rošty na úpravu pokrmů: Litinové rošty jsou dodávány s Vaším grilem, aby Vám poskytly vyšší schopnost udržení a distribuce tepla. Pravidelným ošetřováním (balzamováním) vytvoříte na roštu ochrannou vrstvu, která bude odolná proti korozi a zvýší se tak schopnost nepřilnavosti pokrmů k roštu.

První použití: Rošty ručně umyjte jemným přípravkem na nádobí a vodou, abyste se zbavili zbytků z výrobního procesu (nikdy nemyjte rošty v myčce). Opláchněte horkou vodou a řádně otřete do sucha. To je důležité, aby vlhkost nepronikala litinovou vrstvou.

Ošetřování (balzamování): Vezměte jemný hadřík (látku) a rozetřete jím ROSTLINNÝ TUK po celé ploše roštu tak, aby byly všechny části pokryté vrstvou tuku. Nepoužívejte slané tuky jako jsou másla nebo margaríny. Předehřejte gril – asi 15 minut a pak do něj vložte tukem potřené rošty. Otočte ovládací knoflík hořáku na střední nastavení se zavřeným poklopem. Nechte rošty přibližně půl hodiny, aby se nahřály. Vypněte hořák a odpojte přívod plynu. Nechte rošt na grilu dokud nevychladne. Tento proces by se měl několikrát za sezonu opakovat, i když nebude používán každý den (pro denní používání informace viz. níže)

Denní používání: Před předehřátím a čištěním mosazným kartáčem na grily, potřete celou plochu roštu rostlinným tukem. Předehřejte gril a pak setřete nechtěné zbytky z roštu kartáčem.

Odstraňování problémů

Problém	možné příčiny	Řešení
Nízká teplota / Nízká hořlavost.	<p>Nesprávné přehřátí.</p> <p>Nedostatek vzduchu.</p> <p>Málo uhlí.</p> <p>Víko se otevírá často.</p>	<p>Nechte uhlí spalovat až bude pokryté světle šedý prachem. (obvykle 20-25min).</p> <p>Otevřete větrací otvory.</p> <p>Přidat další dřevěné uhlí zásobníku.</p> <p>Pokaždé, když je víko odstraněno, teplota klesá. To vede k nižším teplotám a delší době vaření.</p>
Nadměrná hořlavost/vysoká teplota	<p>Nesprávné přehřátí.</p> <p>Nadměrný tuk, který kape do popela / vybudovat odkapovou nádobu</p>	<p>Přehřejte gril s zavřeným víkem 20 - 25 min a následně rozhrňte rovnoměrně uhlí.</p> <p>Čistý popel / použijte odkapovou nádobu pravidelně. Nevkládejte misku s hliníkovou fólií. Viz pokyny čištění.</p>
Zdá se, že se něco loupe uvnitř víka.	Mastný nános na vnitřním povrchu.	Není to závada. Povrchová úprava na víku je porcelán. Loupání je způsobeno tvrzeným tukem, který zasychá do barvy a ve tvaru střepek se následně odlupuje. Zabráňte tomu pravidelným čištěním. Viz pokyny pro čištění.

Grilování

Zažehnutí grilu

- Před prvním grilováním, doporučujeme vypálit gril vysokou teplotou po dobu 30 minut s otevřeným víkem. To umožní spálit maziva používané ve výrobním procesu.
- Otevřete vždy víko grilu, když gril zapalujete.
- Ujistěte se, že je popelník čistý z předchozího použití a pak znovu nainstalujte.
- Gril může být použit buď bez deflektoru vzduchu nebo s našim deflektorem, který zajistí rovnoměrnější teploty a zpomalí rychlost spálení v centru roštu.
- Použijte buď starter na dřevěné uhlí (není součástí balení) dle pokynů uvedených v návodu nebo umístěte lihové kostky nebo lehce zmačkané noviny na a kolem deflektoru vzduchu.
- Umístěte uhlí do tvaru kužele uprostřed grilu (přímá metoda) nebo do bočních košíků (nepřímá metoda).
- Po úplném zažehnutí, zavřete víko a nechte uhlí spalovat, dokud není pokryto světle šedým popelem (přibližně 20 minut), dale zajistíme rozhrnutí uhlí pomocí kleští s tepelně odolnými úchyty podle metody vaření, kterou budete používat. Startovací kapalina může být použita k zapálení uhlí, ale není to preferovaná metoda.
- Pokrm může být znečištěn a může mít chemickou chuť, pokud se nevypálí před vařením. Pokud hoří, nepřidávejte další startovací kapalinu. Uchovávejte startovací tekutinu alespoň 7,5 metru od grilu, pokud je v provozu.
- Další kouřové aroma může být dosaženo přidáním vonných dřevěných šupin.

Vaření s Vaším grilem

- Doporučujeme předehřátí grilu s uzavřeným víkem po dobu cca 20 minut. Gril je připraven, pokud je na uhlí tenká vrstva šedého popela.
- Jako obecné lze počítat množství 50 briket na 1 kg masa. Pokud budete grilovat více než 30 až 40 minut, musí být zajištěny další brikety a přidány do ohně. Když je chladné počasí nebo fouká silný vítr, budete potřebovat více briket pro dosažení ideální teploty vaření.
- Buďte opatrní při přidávání uhlí do grilu. Plameny mohou vzplanout, když uhlíky přijdou do styku s čerstvým vzduchem. Ustupte na bezpečnou vzdálenost a používejte dlouhou násadu a tepelně-odolné nářadí pro přidání dřevěných briket či uhlí.
- Otvory na víku jsou obvykle ponechány otevřené, aby mohl vzduch do grilu. Vzduch zvyšuje spalování a teplotu. Teplotu můžete regulovat otáčením víčka vlevo či vpravo.
- Když se jídlo vaří, nechte víko zavřené. Pokaždé, když je víko otevřeno, teplota klesá. Vede to nižším teplotám a delší dobu pečení.
- Úplné nebo částečné uzavření otvorů pomůže ochladit uhlí. Nezavírejte zcela větrací otvory pro ochlazení komory či uhašení ohně.
- Grilovací rošt lehce potřete olejem, který zabrání přilepování pokrmu.
- Používejte teploměr, aby byly pokrmy přiměřeně vařené.
- Zavřete víko, všechny otvory grilu a uhasete oheň.
- Vždy nechte gril před manipulací vychladnout.
- Nikdy nenechávejte uhlíky a popel na grilu bez dozoru. Ujistěte se, že uhlíky a popel jsou zcela uhašeny před odstraněním.
- Použijte kovové špachtle nebo lopatky k odstranění zbývajících uhlí a popelu z grilu. Umístěte ho do nehořlavé kovové nádoby a dokonale zalijte vodou. Nechte ho v tomto dalších 24 hodin před likvidací.
- Použijte mosazný drátěný kartáč pro vyčištění uvolněných nečistot z mísy a vnitřku víka.
- Umyjte vnitřek grilu vodou s jemným mycím prostředkem. Poté důkladně opáchněte čistou vodou a vytřete do sucha.
- Smaltované části podléhají zvláštní péči. Pro čištění použijte speciální přípravek Napoleon, který zakoupíte přes vašeho prodejce Napoleon.

Uchovejte svůj pokladní doklad o nákupu, abyste mohli potvrdit svou záruku.

Objednávání náhradních dílů

Informace o záruce

MODEL: _____

Datum nákupu: _____

Výrobní číslo: _____

(Záznam informací naleznete zde pro přehlednost)

Než se obrátíte na vašeho prodejce, podívejte se na webové stránky Napoleon Grills, kde naleznete rozsáhlejší pokyny pro čištění, údržbu, odstraňování a náhradní díly - www.napoleongrilly.cz . Pro náhradní díly a záruční reklamace se obraťte přímo na místního distributora / prodejce (viz seznam kontaktů na webu). Obraťte se na vašeho prodejce ve věci náhradních dílů a záručních reklamací. Pro zpracování Vaší žádosti budeme potřebovat následující informace:

1. Model a sériové číslo přístroje.
2. Objednací číslo a popis
3. Stručný popis problému
4. Doklad o koupi (fotokopie faktury).

V některých případech reklamace může zástupce Napoleonu požádat o vrácení reklamovaného dílu do továrny na kontrolu před poskytnutím náhradních dílů.

- Než se obrátíte na vašeho prodejce Napoleon, prosím vezměte na vědomí, že na následující položky se nevztahuje záruka:
- náklady na dopravu, zprostředkování nebo vývozní clo, mzdové náklady na odstranění a reinstalaci,
- náklady na služby a volání k diagnostice problem, změna barvy korozivzdorné oceli,
- selhání v důsledku nedostatečného čištění a údržby nebo používání nevhodných čisticích prostředků (čističe trouby).

CZ

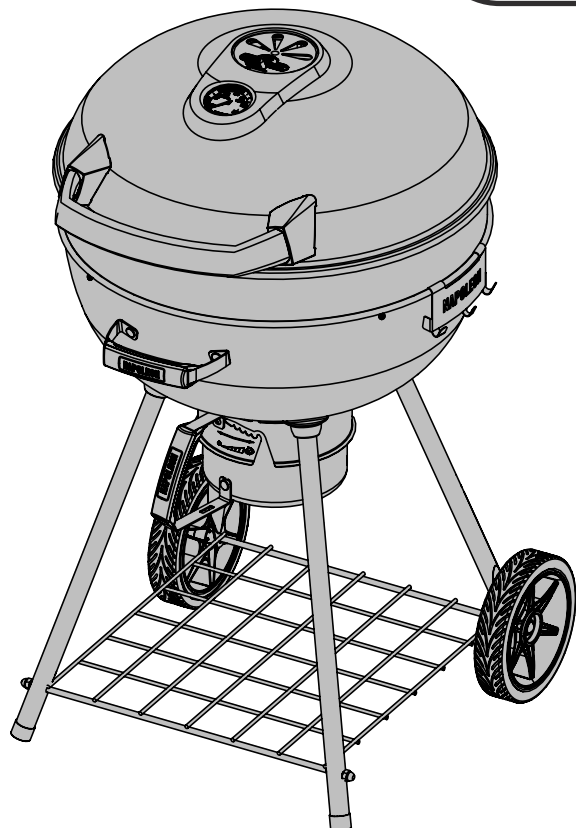
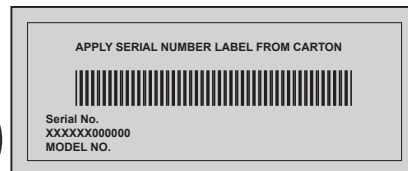
Notes

CZ

MONTÁŽ A ÚDRŽBA MANUÁL NA POUŽITÍ

TENTO GRIL SA MUSÍ POUŽÍVAŤ VONKU NA DOBRE VETRANOM MIESTE
USCHOVAJTE TENTO NÁVOD PRE BUDÚCE POUŽITIE

OUTDOOR CHARCOAL GRILL



PRO22K-LEG-2

SK



VAROVANIE

Nepokúšajte sa zapáliť toto zariadenie, bez toho aby ste si prečítali oddiel "Horenie" v tomto návode na obsluhu.



NEBEZPEČENSTVO

Spaľovania uhlia produkuje oxid uhoľnatý. Nepáľte uhlia v domácnostiach, garážach, stanoch, vozidlách alebo akýchkoľvek uzavretých priestoroch.



VAROVANIE! Nedodržanie presných pokynov môže viesť k požiaru a spôsobiť vážne zranenie alebo smrť.

Wolf Steel Europe BV
Poppenbouwing 29-31, 4191 NZ Geldermalsen,
CCI No. 51509970, THE NETHERLANDS
info@napoleongrills.nl

Napoleon Prezidentská 10-ročná Obmedzená Záruka



Výrobky NAPOLEON sú navrhnuté s vynikajúcimi komponentmi a materiálmi a sú tvorené vyškolenými remeselníkmi, ktorí sa chvália svojím dielom. Tento produkt pred balením a prepravou dôkladne skontrolovali kvalifikovaní technici, aby sa zabezpečilo, že zákazník dostane kvalitný produkt, ktorý očakávate od spoločnosti NAPOLEON.

NAPOLEON ručí za komponenty Vášho nového produktu Napoleon z hľadiska chyby materiálu a spracovania od dátumu predaja po nasledujúce obdobie:

Smaltované veko a kotol	10 rokov
Vetrací ovládací systém	5 rokov plné krytie, plus do 10.roku zľavu 50% na diel
Smaltované liatinové grilovacie rošty	5 rokov plné krytie, plus do 10.roku zľavu 50% na diel
Chrómované grilovacie rošty	3 roky plné krytie, plus do 10.roku zľavu 50% na diel
Všetky ostatné diely	2 roky

* Podmienky a obmedzenia

SK

Táto obmedzená záruka vytvára záručnú lehotu, ako je uvedená vo vyššie uvedenej tabuľke, pre produkt zakúpený prostredníctvom autorizovaného predajcu NAPOLEON a oprávňuje pôvodného kupujúceho k stanovenému krytiu v záručnej dobe, a to buď spoločnosťou NAPOLEON alebo autorizovaným predajcom spoločnosti NAPOLEON, aby nahradil súčasť takéhoto výrobku, ktorý zlyhal pri bežnom súkromnom použití v dôsledku výrobných chýb. "50% zľava" uvedená v tabuľke znamená, že súčasťka je k dispozícii kupujúcemu za 50% zľavu z bežnej maloobchodnej ceny komponent v uvedenom období. Táto obmedzená záruka sa nevzťahuje na príslušenstvo alebo bonusové položky.

Na vysvetlenie "bežná súkromná potreba" výrobku znamená, že výrobok: bol nainštalovaný autorizovaným servisným technikom alebo dodávateľom v súlade s pokynmi na inštaláciu, ktoré sú súčasťou výrobku a všetkými miestnymi a národnými predpismi pre budovy a protipožiaru ochranu; boli riadne dodržané; a výrobok nebol používaný ako komunálne zariadenia alebo v komerčnej sfére.

Záruka tiež nezahŕňa: prekúrenie, neštandardné horenie spôsobené okolitými podmienkami, ako je silný vietor alebo nedostatočná ventilácia, škrabance, preliačiny, koróziu, poleptanie náterov, sfarbenie spôsobené teplom, abrazívnymi alebo chemickými čistiacimi prostriedkami alebo pôsobením UV žiarenia, rozbitie porcelánových či smaltovaných častí alebo škody spôsobené nesprávnym použitím, nehodou, krupobitím, hasením požiaru, nedostatočnou údržbou, nevhodným pôsobením či prostredím ako je soľ alebo chlór, zmeny, úpravy, zanedbanie alebo časti inštalovanej od iných výrobcov. Pokiaľ dôjde k poškodeniu častí, ktoré by už nebolo možné používať (prorезnutie alebo prehorenie) počas doby trvania oprávnenej záruky, bude poskytnutý náhradný diel.

Náhradný diel je výhradnou zodpovednosťou spoločnosti NAPOLEON definovanej touto obmedzenou zárukou. V žiadnom prípade NAPOLEON nenesie zodpovednosť za inštaláciu, prácu alebo iné náklady alebo výdavky spojené s opätovným inštalovaním dielu v záruke, za akékoľvek vedľajšie, následné alebo nepriame škody alebo za prepravné poplatky, náklady na pracovnú silu alebo vývozné clá.

Táto obmedzená záruka je poskytovaná popri všetkých právach, ktoré vám sú poskytované miestnymi zákonmi. Preto táto obmedzená záruka nestanovuje spoločnosti NAPOLEON žiadnu povinnosť udržiavať diely na sklade. Na základe dostupnosti náhradných dielov môže spoločnosť NAPOLEON podľa svojho uváženia splniť všetky povinnosti tým, že poskytne zákazníkovi pomerný kredit k novému produktu. Po prvom roku s ohľadom na túto obmedzenú záruku môže spoločnosť NAPOLEON podľa svojho uváženia plne plniť všetky záväzky vyplývajúce z tejto záruky tým, že vráti pôvodnému oprávnenému kupujúcemu veľkoobchodnú cenu akékoľvek chybné časti v záruke.

Predajný doklad alebo kópie budú vyžadované spoločne so sériovým číslom a číslom modelu pri podávaní záručných nárokov spoločnosti NAPOLEON. Spoločnosť NAPOLEON si vyhradzuje právo nechať svojho zástupcu preveriť akýkoľvek výrobok alebo súčasť pred tým, než uhradí nárok na záruku. Obráťte sa na svojho autorizovaného predajcu Napoleon prípadne priamo na servis dovozca NAPOLEON, aby ste získali nárok na záručné plnenie.

Pozn.: doživotnou zárukou sa myslí neobmedzená doba, po ktorú bude produkt používaný prvým a pôvodným majiteľom resp. kupujúcim



napoleongrills.com



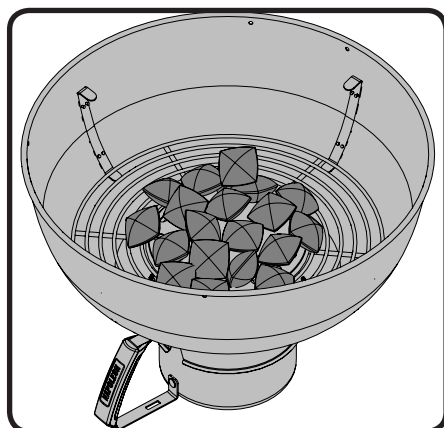
VAROVANIE! Nedodržanie týchto pokynov môže viesť k poškodeniu majetku, úrazu alebo smrti. Prečítajte si všetky upozornenia a dodržujte pokyny z tejto príručky pred prevádzkou grilu.

Bezpečné prevádzkové postupy

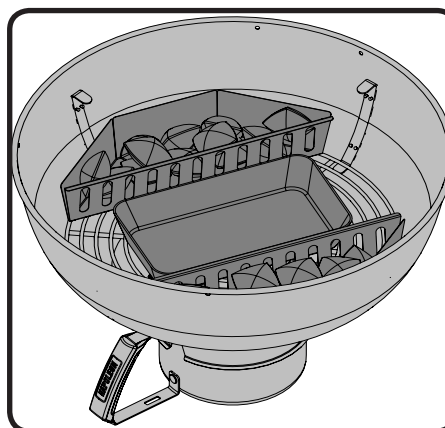
- Prečítajte si celý návod pred použitím grilu.
- Za žiadnych okolností by mala byť vykonaná zmenená tohto grilu.
- Postupujte pozorne podľa prevádzkového návodu pri prevádzke grilu.
- Nepoužívajte drevené uhlie so zatvoreným vekom.
- Nenakláňajte sa nad gril pri zapaľovaní.
- Nepoužívajte benzín, alkohol alebo iné vysoko prchavé tekutiny na zapálenie dreveného uhlia. Používajte iba drevené uhlie a štartovacie kvapalinu schválenú pre zapálenie uhlia. Uistite sa, že všetky kvapaliny, ktoré mohli pretiecť cez dno grilu sú odstránené pred zapálením uhlia.
- štartér dreveného uhlia by nikdy nemali byť pridaný na horúce alebo dokonca teplé uhličky.
- Po použití a pred zapálením, štartovacie kvapaliny dreveného uhlia by mali byť uzavreté a uložené v bezpečnej vzdialenosti od grilu, najmenej 25 stôp (7,6 m).
- Udržujte deti a domáce zvieratá mimo dosahu horúceho grilu, nedovoľte deťom šplhať vnútri skrine.
- Ak je gril v prevádzke nenechávajte ho bez dozoru.
- Nehýbte grilom za tepla alebo v prevádzke.
- Tento gril nesmie byť inštalovaný v alebo na rekreačných vozidlách alebo lodiach.
- Tento gril sa musí skladovať iba vonku na dobre vetranom mieste, nesmie byť používaný vo vnútri budovy, garáže, vo verande, altánku alebo iných uzavretých priestoroch.
- Udržujte správnu vzdialenosť od horľavín, 5 stôp (1,5 m) do všetkých strán. Táto vôľa sa tiež odporúča u vinylové dosky alebo tabule skla. Gril nesmie byť použitý na horľavých plochách (drevené alebo kompozitné palubách alebo veránd).
- Za všetkých okolností zachovať ventilačné otvory čisté.
- Nepoužívajte prístroj na žiadnych horľavých konštrukciách.
- Nepoužívajte tento gril pod ľubovoľnou stropnou konštrukciou, ako sú strešné krytiny, prístrešky, markízy a previsy.
- neumiestňujte do vetra. Silný vietor môže nepriaznivo ovplyvniť výkon varenie na grile.
- Veko musí byť počas doby predhrievanie uzavreté.
- Zásobník popola / tuku, musí byť zavedené pri použití grilu.
- Čistíte zásobník popola / tuku pravidelne, aby sa zabránilo nahromadeniu, to môže viesť k požiaru zvýšného tuku.
- Nepoužívajte bočné police pre uloženie zapaľovače, zápaliek alebo iné horľaviny.
- gril by mal byť na rovnom povrchu, za všetkých okolností.
- Nikdy nepoužívajte vodu na ovládanie vzplanutia alebo uhasenie uhlie, pretože by mohlo dôjsť k poškodeniu povrch grilu.
- Pre ovládanie flare-ups, ľahko zatvorte vetracie otvory na grile. Ak chcete úplne uhasiť uhlia / oheň, zatvorte všetky vetracie otvory a veko úplne.
- Používajte správne grilovacie nástroje s dlhými ušami, tepelne odolné
- Používajte grilovacie rukavice alebo horúce podložky k ochranei rúk pri varení alebo pri úprave vetracích otvorov.
- Neodstraňujte popol z grilu, kým sa nie sú všetky drevená uhlie úplne vyhorená. Nechajte dostatok času na vychladnutie.
- Zostávajúce uhlie a popol musí byť odstránené z grilu a uložené v nehorľavé kovovej nádobe. Nechajte v kovovej nádobe ešte 24 hodín pred likvidáciou.
- Udržujte elektrickej napájacej šnúry mimo dosahu vody alebo horúcej plochy.

Pokyny zapálenia

PRIAME VARENIE



NEPRIAME VARENIE



Použitý uhelný gril

Priemer grilu	Odporúčaná metóda	na drevenom uhlí
22" (56cm)	Priame varenie	50
22" (56cm)	Nepriame varenie	25 na každej strane *(Pridať 8 ďalších na každú stranu za každú ďalšiu hodinu varenia)

* Odporúčanie množstvo dreveného uhlia je orientačné, dlhšia doba varenia vyžadujú ďalšie uhlie, ktoré sa dopĺňa. Rovnako tak, keď bude chladnejšie, veterné počasie vyžadujúce ďalšie drevené uhlie pre dosiahnutie ideálnej teploty varenia.



VAROVANIE! Otvorte veko.

VAROVANIE! Umiestnite gril vonku na pevný, úroveň, nehorľavý podklad. Nikdy nepoužívajte gril na drevených či iných povrchoch, ktoré by mohli horieť.

VAROVANIE! Nenakláňajte sa nad gril pri zapalovaní dreveného uhlia.

VAROVANIE! Popolník musí byť na svojom mieste počas zapálenia grilu a kedykoľvek v priebehu používania.

PRIAMA METÓDA VARENIE	NEPRIAMA METÓDA VARENIE
1. Úplne otvorte priechod grilu. Otvorte veko grilu a odstráňte mriežky varenie.	1. Úplne otvorte priechod grilu. Otvorte veko grilu a odstráňte mriežky varenie.
2. Uistite sa, že je popol vyčistený z predchádzajúceho použitia a potom znovu nainštalujte.	2. Uistite sa, že je popol vyčistený z predchádzajúceho použitia a potom znovu nainštalujte.
3. Mriežka môže byť použitá buď s alebo bez stredného vzduchového deflektora. Deflektor zaistí rovnomernejšie teplotu a spomalí rýchlosť horenia v stredu grilu. Použite buď Ultrachef Charcoal Starter (nie je súčasťou balenia) podľa pokynov zahrnutých v manuáli, alebo umiestnite ľahšie kocky či ľahko pokrčené noviny na alebo okolo vzduchového deflektora. Umiestnite uhlie v kužeľovitom tvare na stred jednotky na noviny alebo ľahšie kocky.	3. Odstráňte vzduchový deflektor a umiestnite odkvapkávacia panvicu. Umiestnite voliteľne uhlie na oboch stranách odkvapkávacej misky. Použite buď Ultrachef Charcoal Starter (nie je súčasťou balenia) podľa pokynov zahrnutých v manuáli, alebo umiestnite ľahšie kocky či ľahko pokrčené noviny na alebo okolo vzduchového deflektora. Umiestnite uhlie v kužeľovitom tvare na stred jednotky na noviny alebo ľahšie kocky.
4. Zapáľte noviny alebo ľahšie kocky. Akonáhle sa rozhorí, zatvorte veko a nechajte uhlie horieť, kým nie je pokrytá svetlo šedým popolom (približne 20 minút).	4. Zapáľte noviny alebo ľahšie kocky. Akonáhle sa rozhorí, zatvorte veko a nechajte uhlie horieť, kým nie je pokrytá svetlo šedým popolom (približne 20 minút).
5. Pomocou klieští s ušami tepelne odolnými, rozmiestnite drevo rovnomerne na celý rošt (vrátane stredného vzduchového deflektora).	



Štartovacie kvapalina môže byť použitá na zapálenie uhlie, ale to nie je preferovaný spôsob. Môže to byť nepríjemné, štartér môže zanechať chemickú chuť na jedle, alebo sa jedlo úplne spáli. Akonáhle horí, nikdy nepridávajte ďalšie štartovacie kvapalinu na gril. Uchovávajte fľaštičku prinajmenšom 25 stôp (7,6 m) od grilu pri používaní.

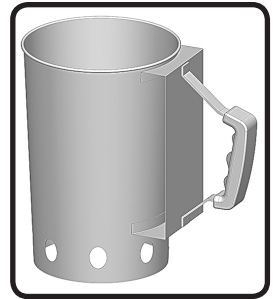


Štartér uhlie bezpečné prevádzkové postupy

POZOR!

- Len pre vonkajšie použitie.
- Nepoužívajte štartér uhlie, pokiaľ gril nie je umiestnený na pevnom, rovnom, nehorľavom podklade.
- Nedávajte štartér na drevené uhlie na povrch ktorý je horľavý, ak štartér nie je úplne vychladnutý.
- Nepoužívajte benzín alebo jiné samozapalovače do uhelného strartera.
- Používajte iba štartér na drevené uhlie pre grily určené na drevené uhlie.
- Pri manipulácii s so štartérom vždy používajte ochranné rukavice.
- Udržujte deti a domáce zvieratá mimo štartér na drevené uhlie, za všetkých okolností.
- Nepoužívajte štartér na uhlie v silnom vetre.
- Nenechávajte štartér na drevené uhlie pri používaní bez dozoru.
- Nenakláňajte nad drevené uhlie pri zapálení štartéra.
- Nikdy nepoužívajte štartér na drevené uhlie, pre iné ako určené použitie. Nepoužívajte štartér k príprave jedla.
- Buďte mimoriadne opatrní pri nalievaní štartéra na žeravé uhlíky.

Štartér uhlie



SK

Použitie štartéra na drevené uhlie

- Otočte štartér hore nohami.
- Zmačkejte listy novín a napchajte je pod štartér na drevené uhlie.
- Otočte pravú stranu štartéra na drevené uhlie hore a umiestnite ho do stredy dreveného uhlia roštu.
- Pridajte zodpovedajúce množstvo dreveného uhlia, ale nie viac ako na vypnuté.
- Zapáľte zápalku a vložte ju do jedného z otvorov v spodnej časti pre zapálenie papiera.
- Keď má horná vrstva uhlia slabú vrstvu sivého popola, použite ochranné rukavice a opatrne rozprestrite uhlia na rošte (priama metóda varenia), alebo po stranách (nepriama metóda).
- Ako náhle je horúce uhlie umiestnené na grile, môžete ho rovnomerne rozhrnúť pomocou klieští s tepelne odolnou rukoväťou.

Príručka varenie s dreveným uhlím

varenie na drevenom uhlí je tradičný spôsob, aký všetci dobre poznáme. Žeravé brikety vyžarujú infračervenú energiu do potravín, s veľmi malým efektom vysušenie potravín. Akékoľvek šťavy Alebo oleja, ktoré odkvapávajú z potravín na drevenom uhlí, sa výpar a dym dá potravinám lahodná grilovanie chuť. Pointa je, že Napoleon gril na drevené uhlie vyrába spaľujúce teplo pre šťavnatejšie, chutnejšie steaky, hamburgery a iné mäso .. Pre doby varenia a tipy nájdete karte infračerveného grilovanie.

Nasledujúca tabuľka grilovanie, má byť iba vodítkom. Časy varenia sú ovplyvnené faktormi ako nadmorská výška, vonkajšia teplota, vietor, a požadovanú chuť, to sa odrazí na vašej dobe varenia. Použite teplomer na mäso, aby ste si overili či sú potraviny dostatočne uvarené.

Tabuľka grilovanie na drevenom uhlie

Jedlo	Priame / Nepriame teplo	Čas varení	Užitočné návrhy
Steak 2.54cm tlstý	Priame teplo	6-8 min.- Medium	Pri výbere mäso pre grilovanie, spýtajte sa na mramorovej rozloženie telesného tuku. Tuk pôsobí ako prírodná masť pri varení a udržuje jedlo vlhké a šťavnaté.
Hamburger 1.27cm tlstý	Priame teplo	6-8 min.- Medium	Príprava hamburgerov na želanie je ľahšie zmenou hrúbky vašich fašírok. Ak chcete pridať exotickú chuť pre vaše mäso, skúste pridať hickory-biely orech drevené šupiny od Napoleon.
Kurací kúsky	Priame teplo asi 2 minúty na každej strane. Nepriame tepla zvyšných 18-20 min.	20-25 min.	Spájaná stehná a nohy zo strany bez kože by mali byť naporciované na 3/4 aby sa lepe položilo mäso na gril. Mäso sa griluje rýchlejšie a rovnomernejšie. Ak chcete pridať chuť do vášho varenia, skúste pridať mesquite vonné drevené šupiny Napoleon do udiacej rúrky.
bravčové kotlety	Priame teplo	10-15 min.	Odstráňte prebytočný tuk pred grilovaním. Zvoľte extra silné kotlety pre lepší výsledky
Rebrá	Priame teplo 5 min. Nepriame teplo až do konca.	1.5-2 hod. často otáčame	Vyberte si rebrá, ktoré sú chudé a mäsitá. Grilujte, kým sa mäso ľahko oddelí od kosti.
jahňacie kotlety	Priame teplo	25-30 min.	Odstráňte prebytočný tuk pred grilovaním. Zvoľte extra silné kotlety na ďalšie konanie.
Párok v rožku	Priame teplo	4-6 min.	Zvoľte väčšiu veľkosť viedeňských parkov. Rozrežte kožu pozdĺžne pred grilovaním.

Návod grilovanie

Počiatkové zapálenie: pri prvom zapálení, bude gril vydávať mierny zápach plynu. To je normálne dočasný stav spôsobený vypálením vnútorných náterových hmôt a mazív používaných vo výrobnom procese, a nebude sa opakovať

Použitie grilu: Odporúčame predhriať gril s uzavretým vekom počas približne 20 minút. Uhlíky sú pripravené, keď majú slabú vrstvu sivého popola. Potraviny ktoré sa varia krátku dobu (ryby, zelenina) Može hoci veko grilu Otvorené. Varenie s uzavretým sendvičom zaistí vyššími teplotami, ktoré môžu znížiť dobu varenia a maso bude rovnomernejším varené. Pri varení veľmi chudobného mäsa, Ako je kuracie prsia Alebo chudobného bravčového mäsa mriežky možné naolejovať pred ohrevom pre zníženie lepením. Varenie Masa s vysokým obsahom tuku môže vytvoriť „vzplanutia“. Buď obmedzte obsah tuku alebo znížte teplotu. V prípade, že dôjde k vzplanutiu potravy, presunie preč z plameňa a znížte teplotu. Nechaj veko Otvorené.

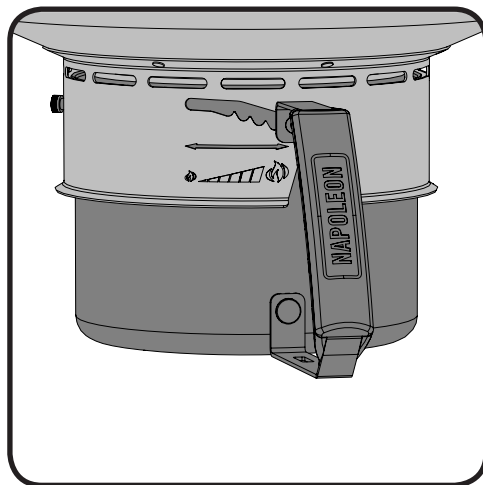
Ako všeobecné pravidlo, v pláne do používania asi 50 brieket budete variť 1 kg mäsa. . A na varenie na viac Ako 30 až 40 minút, musí byť ďalšie briekety pridané do ohňa. Pri nepriazni počasím je zima Alebo Veterná, bude potrebovať viac brieketami pre dosiahnutie ideálnej teploty varenia.

Pridanie dreveného uhlia počas varenia: pri pridávaní uhlie na gril buďte opatrní. Plamene môžu vzplanúť, keď uhlie prichádza do styku s čerstvým vzduchom. Stojte v bezpečnej vzdialenosti a používajte kliešte s dlhou rukoväťou, tepelne odolné a pridajte ďalšie uhlie / briekety. Tam sú klapky na oboch stranách varnej mriežky, ktoré poskytujú prístup k roštu na drevené uhlie.

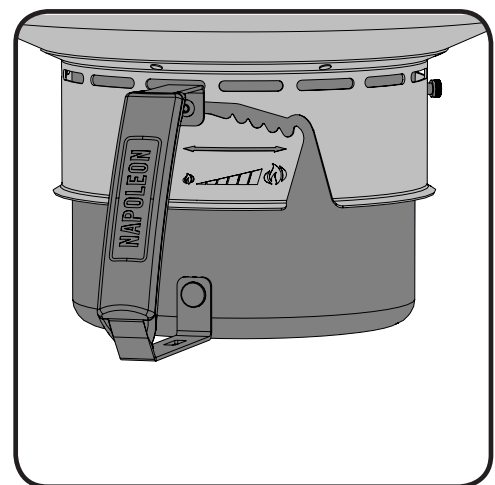


POZOR! Nikdy nepridávajte do horúcich či teplých uhlíkov štartovacie kvapalinu. Akonáhle je drevené uhlie zapálené nie je potrebné viac tekutín.

Prevádzkové ventilačné otvory: Veko otvorov na krytom vonkajšom grile sú obvykle ponechané otvorené, aby vzduch do mohol grilu. Vzduch zvyšuje možnosť horenie uhlia. Teplotu grilu môžete regulovať pohybom otvorov doprava alebo doľava. Zavretie vetracích otvorov buď čiastočného alebo úplného pomôže ochladzovať uhlíky. Nezavrážajte úplne vetracie otvory a veko, ak sa snažíte utlmiť alebo uhasiť plameň.



Prieduch Otvoren



Prieduch Uzatvorený

Bezpečnosť po použití



VAROVANIE! Ak chcete chrániť seba a svoj majetok pred poškodením, starostlivo dodržiavajte tieto bezpečnostné opatrenia.

- Zatvorte veko grilu a všetky vetracie otvory pre utlmenie ohňa.
- Vždy nechajte gril úplne vychladnúť pred manipuláciou.
- Nikdy nenechávajte uhlia a popol z uhlia bez dozoru. Uistite sa, že sú uhlie a popol úplne uhasené pred odstránením.
- Použite kovovú špachtľu alebo naberačku pre odstránenie zostávajúceho uhlia a popola z grilu. Umiestnite do nehorľavé kovovej nádoby a polejte vodou. Nechajte v kontajneri ďalších 24 hodín pred likvidáciou.

Pokyny pre údržbu / čistenie

Odporúča sa, aby popolník / odkvapkávacia miska boli najprv vyčistené po každom použití.



VAROVANIE! Uistite sa, že gril je vychladnutý a všetko uhlie je úplne uhasené, pred vybratím akejkoľvek časti z vášho grilu.

VAROVANIE! Pri čistení grilu vždy používajte ochranné rukavice a ochranné okuliare.

VAROVANIE! Nepoužívajte tlakovú umývačku k čisteniu akejkoľvek časti grilu.

POZOR! Aby sa predišlo možnosti popálenia, by mala byť údržba vykonávaná iba v prípade, keď je gril vychladnutý. Vyhnite sa nechránenému kontaktu s horúcimi povrchmi. Čistite gril v oblasti, kde čistiace prostriedky nepoškodí palubu, trávnik, či terasu. Nepoužívajte čistič na rúry na čistenie akejkoľvek časti tohto plynového grilu. Nepoužívajte samočistiaci prostriedky na rošty alebo akékoľvek iné časti. Barbecue omáčka a soľ môže byť žieravá a spôsobí prudké zhoršenie častí na plynovom grile ak nie je pravidelne čistený.

Mriežky a grilovací rošt: mriežky a grilovací rošt je najlepšie čistiť mosadznou drôtenou kefou v priebehu pred vykurovacím obdobím. Oceľové drôty kefy môžete využiť proti odolným škvrám.

Čistenie vnútra v plynovom grile: Odstráňte grilovací rošt. Použite mosadznú drôtenú kefu na čistenie nečistôt uvoľnených nečistoty z misy a vnútra veka. Oškrabte vriacej dosky špachtľou alebo škrabkou, a použite drôtenú kefu na odstránenie popola. Zmeťte všetky nečistoty z vnútra grilu plynu do odkvapkávacej misky. V prípade potreby môžete umyť vnútro grilu s jemným čistiacim prostriedkom a vodou. Dôkladne opláchnite čistou vodou a utrite do sucha.



VAROVANIE! Nahromadený tuk zvyšuje nebezpečenstvo požiaru. Vyčistite odkvapkávaciu misku po každom použití, aby sa zabránilo nahromadeniu mastnoty. Vyčistite odkvapkávaciu misku po každom použití, aby sa zabránilo nahromadeniu mastnoty.

Popolník / odkvapkávacia miska: popol, tuk prebytočné kvapky odkapajú robiť Popolník / odkvapkávacej misky, ktorá sa nachádza pod grilom na drevené uhlie. Pre čistenie, vyberte panvicu / misku z grilu. Nikdy neobaľujte alebo neprekrývajte odkvapkávacia panvicu hliníkovou fóliou alebo iným materiálom, pretože to môže zabrániť správnejmu prúdeniu tuku. Panva by mala byť oškrabaná špachtľou alebo škrabkou. Umyte popolník / odkvapkávaciu misku s jemným čistiacim prostriedkom Vodou. Dôkladne opláchnite čistou vodou vytrite do sucha.

Čistenie vonkajšieho povrchu grilu: Nepoužívajte brúsne čistiace prostriedky ani drôtenku na jakovkoľvek maľovaný, porcelán alebo nerezový diel vášho grilu Napoleon. Ak tak urobíte, bude poškrabaný povrch grilu. Povrch grilu by sa mal čistiť teplou mydlovou vodou, zatiaľ čo je kov ešte na dotyk teplý. Na čistenie nerezových povrchov, použite čistič na nerezovej ocele alebo ne-abrazívne. Vždy ich utrite v smere vlákien / rýh. V priebehu doby, diely z nerezovej ocele zmení farbu pri zahriatí, zvyčajne do zlatej či hnedej farby. Toto zafarbenie je normálne a nemá vplyv na výkon grilu. S komponenty z porcelánu / smaltu je potrebné zaobchádzať so starostlivosťou. Zapečený smalt je ako sklo a ak sa poškodí, bude sa lúpať či praskať.

Liatinové grilovacie mriežky: liatinové grilovacie mriežky dodávané s novým grilom, ponúkajú vynikajúce uchovávanie a distribúciu tepla. Pravidelným ošetrovaním svojim mriežkam pridávate ochranný povlak, ktorý pomôže v odpore voči korózii a zvýši svoje schopnosti nepríľnavosti.

Prvé použitie: Umyte grilovacie mriežky rukou s trochou čističa na riad vodou, aby sa odstránili zvyšky z výrobného procesu (nikdy neumývajte v umývačke riadu). Dôkladne opláchnite teplou vodou a utrite mäkkou handričkou. To je dôležité, aby sa zabránilo prenikaniu vlhkosti do liatiny.

Ošetrovanie: Použite mäkkú handričku s rastlinným olejom a potrite s ním všetky miesta roštu. Nepoužívajte solené tuky, ako je maslo alebo margarín. Predhrejte gril po dobu 15 minút, potom umiestnite rošty späť na gril. Otočte ovládacie gombíky horáka na strednú teplotu veko majte zavreté. Nechajte varenie mriežky ohriať približne pol hodiny. Otočte všetky horáky do polohy „OFF“ a plyn vypnite pri zdroji. Nechajte vriace mriežky vychladnúť. Tento postup by mal byť opakovaný niekoľkokrát v priebehu obdobia grilovania, aj keď to nie je nutné pre každodenné použitie (postup denného používania).

Denné použitie: Pred predhrievaním a čistením mosadzným drôtenou kefou, potrite celý horný povrch masťou. Predhrejte gril a potom zotrite nežiaduce zvyšky mosadznou drôtenou kefou.

Riešenie problémov

Problém	Možné príčiny	Riešenie
Nízkej teplo / Malý plameň.	<p>Nesprávne predhriatie.</p> <p>Nedostatok vzduchu.</p> <p>Málo uhlie uhlie.</p> <p>veko je často otvárané</p>	<p>Povoľte horenia uhlia až bude pokryté svetlo šedým popolom. (obvykle 20-25min).</p> <p>Otvorte otvory.</p> <p>Pridajte ďalšie drevené uhlie do zásobníka.</p> <p>Nechajte jedlo variť s uzavretým vekom. Zakaždým, keď je veko zdvihnuté, teplota klesá. To vedie k nižšej teplote a dlhšej dobe varenia.</p>
Príliš vzplanutia / nerovnomerné teplo..	<p>Nesprávne predhriatie.</p> <p>V zásobníku je veľa tuku alebo popole</p>	<p>Predhrejete gril so zatvoreným vekom po dobu 20 - 25 minút a hličky rovnomerne rozmiestnite.</p> <p>Čistite zásobník popola / odkvapkávaciu misku pravidelne. Nevykladajte panvicu s hliníkovou fóliou. Viď pokyny pre čistenie.</p>
“farba“ sa odlupuje z vnútra veka	nahromadenie tuku na vnútorných povrchoch.	To nie je závada. Povrchová úprava na veku a “kapučňu” je z nerezovej ocele. Odlupovanie je spôsobené kalným tukom, ktorý schne, a bude sa odlupovať. Zabráňte tomu pravidelným čistením. viď čistenie

SK

Prehľad grilovanie na drevenom uhlí

Zapálenie grilu

- Pred prvým varením, doporučujeme vypáliť gril pri vysokej teplote po dobu 30 minút s vekom a otvory plne otvorenými. To spáli všetky mazadlá používané vo výrobnom procese.
- Úplne otvorte ventil na veku a zatvorte zakaždým, keď zapálite gril.
- Uistite sa, že popol je vyčistený z predchádzajúceho použitia a potom znovu nainštalovať.
- Gril môže byť používaný s naším vzduchovým deflektorom. Deflektor zaisťuje rovnomernejšie teploty a spomalí rýchlosť horenia v stredu grilu.
- Použite buď Ultrachef Charcoal Starter (nie je súčasťou balenia) podľa pokynov v manuáli, alebo umiestnite zľahka pokrčené noviny na a okolo deflektora. Umiestnite uhlie v tvare kužeľa do stredu jednotky (priama metóda varenia) alebo po stranách (nepriama metóda).
- Pre úplné rozhorenie, zatvorte veko a nechajte uhlie horieť, kým nie je pokryté svetlo šedým popolom (cca 20 minút), podľa chceného spôsobu varenia rozmiestnite uhlie pomocou klieští sa žiaruvzdornými držadlami.
- Tekutý štartér môže byť použitý na zapálenie uhlie, ale to nie je preferovaný spôsob. Môže zanechať chemickú chuť na jedle, jedlo sa môže spáliť. Akonáhle uhlie horí, nikdy nepridávajte ďalšie štartovacie kvapalinu. Pri prevádzke uchovávajte fľaštičku aspoň 7,6 m od grilu.
- Dymové arómy môže byť dosiahnutý pridaním drevených šupín, ktoré sú k dispozícii v rôznych arómach u vášho predajcu Napoleon.

Varenie s vaším grilom

- Odporúčame predhriať gril s uzavretým vekom počas približne 20 minút. Uhlíky sú pripravené, keď majú slabú vrstvu sivého popola.
- Ako všeobecné pravidlo je použitie asi 50 brikiet na 1kg mäsa. Ak varenie presáhne 30 až 40 minút, musí byť pridané ďalšie briкеты. Pri nepriazni počasia v zime alebo veternom, budete potrebovať viac brikiet pre dosiahnutie ideálnej teploty varenia.
- Pri pridávaní dreveného uhlie na gril, buďte opatrní. Plamene môžu vzplanúť, keď uhlie prichádzajú do styku s čerstvým vzduchom. Stojte v bezpečnej vzdialenosti a používajte kliešte s dlhou rukoväťou, tepelne odolné.
- Prieduchy veka na vonkajšom grile sú obvykle ponechané otvorené, aby vzduch mohol do grilu. Vzduch zvyšuje teplotu horenia. Môžete regulovať teplotu grilu pohybom prieduchu doprava alebo doľava.
- Nechajte jedlo variť s uzavretým vekom. Zakaždým, keď sa veko odstráni, teplota klesá. To vedie k nižším teplotám a dlhšej dobe varenia.
- Zatvorenie vetracích otvor, buď čiastočne alebo úplné, pomôže ochladzovať uhlíky. Nezatvárajte úplne vetracie otvory a vetracie veko, ak sa snažíte znížiť alebo uhasiť plameň.
- Grilovacie rošty môžete naolejovať pred predohrevom pre zníženie lepenie.
- Použite teplomer na mäso, pre zistenie či sú potraviny dostatočne uvarené.

Čistenie grilu

- Zatvorte veko grilu a všetky vetracie otvory vyhasnutie.
- Vždy nechajte gril úplne vychladnúť než s ním budete manipulovať.
- Nikdy nenechávajte uhlie a popol bez dozoru. Pred odstránením sa uistite, že je uhlie a popol úplne uhasený.
- Použite kovovú špachtľu alebo naberte zostávajúce uhlie a popol z grilu. Umiestnite zvyšky do nehorľavé kovovej nádoby a polejte vodou. Nechajte v kontajneri ďalších 24 hodín pred likvidáciou.
- Použite mosadzný drôtenú kefu na čistenie nečistôt z misky a vnútra veka.
- vnútro grilu čistite s jemným čistiacim prostriedkom a vodou. Dôkladne opláchnite čistou vodou a utrite do sucha.
- S porcelánovými a smaltovými komponenty zaobchádzajte opatrne. Olúpaný lak od uhlíkov alebo hobliniek možné vymeniť. Komponenty sú k dispozícii u predajcu grilov Napoleon.

Uschovajte účtenku ako doklad o nákupe na overenie vašej ZÁRUKY.

Objednávanie náhradných dielov

Informácie o záruke

MODEL: _____

DÁTUM NÁKUPU: _____

SÉRIOVÉ ČÍSLO: _____

(Záznam informácií pre ľahkú orientáciu)

Než sa obrátite na oddelenie zákazníckych riešení, skontrolujte Napoleon webové stránky pre rozsiahlejšie informácie -čistenie, údržbu, odstraňovanie problémov a náhradné diely na www.napoleongrills.sk. Obráťte sa na svojho miestneho distribútora priamo (pozri zoznam kontaktov distribútorov grilov) pre náhradné diely a záručnej reklamácie.

Ak chcete spracovať reklamáciu, musíme mať k dispozícii nasledujúce informácie:

1. Model a výrobné číslo prístroja.
2. Katalógové číslo a popis.
3. Stručný opis problému („zlomený“ nie je dostatočná).
4. Fotodokumentaci
5. Doklad o nákupe (fotokópie faktúry).

V niektorých prípadoch riešenie by mohol zástupca požiadať o kontrolu v továrni pred poskytnutím náhradných dielov. Tieto diely musia byť odoslané zpet dovozci.

Než sa obrátite na riešenie pre zákazníkov, prosím, zoberte na vedomie, že na tieto položky sa nevzťahuje záruka:

- Náklady na dopravu, sprostredkovanie alebo vývozného cla.
- Náklady na pracovnú silu na odstránenie a reinštaláciu.
- Náklady na službu volania a diagnostika problému.
- Zafarbenie dielov z nerezovej ocele.
- Zlyhanie časti kvôli nedostatku údržby, alebo použitie nevhodných čistiacich prostriedkov (istiaci rúru).

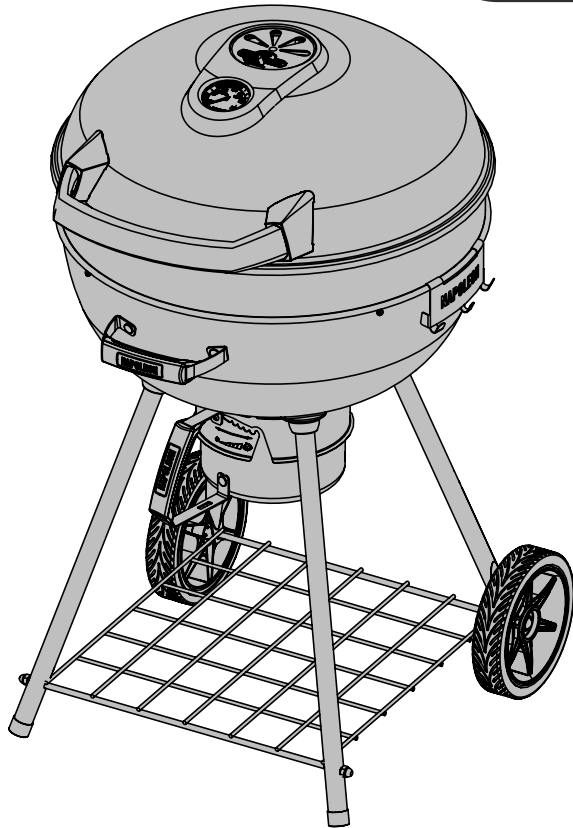
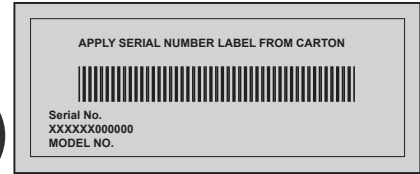
Notes

SK

PRIRUČNIK ZA UPORABU I ODRŽAVANJE ROŠTILJA

OVAJ ROŠTILJ MORA SE KORISTITI VANI U DOBRO PROZRAČENIM PROSTORIMA.

SAČUVAJTE OVAJ PRIRUČNIK ZA BUDUĆU UPORABU.

OUTDOOR CHARCOAL GRILL

NEMOJTE BACITI

PRO22K-LEG-2

HR

**UPOZORENJE**

Prije rukovanja uređajem pažljivo pročitajte upute za "PALJENJE ROŠTILJA" u ovom priručniku.

**OPASNOST**

Gorenjem ugljena nastaje ugljični monoksid. Nemojte upotrebljavati roštilj u kući, garaži, vozilu ili bilo kojem drugom zatvorenom prostoru.



UPOZORENJE! Ako ne slijedite upute, može doći do štete, ozljede ili smrti.

Wolf Steel Europe BV
Poppenbouwing 29-31, 4191 NZ Geldermalsen,
CCI No. 51509970, THE NETHERLANDS
info@napoleongrills.nl

Napoleon President's 10 godina ograničena garancija



NAPOLEON proizvodi su dizajnirani s vrhunskim komponentama i materijalima, a sastavljaju ih obučeni majstori, koji se ponose svojim radom. Ovaj proizvod je temeljito pregledan od strane kvalificiranog tehničara prije pakiranja i dostave kako bi se osiguralo da, kupac, dobijete kvalitetan proizvod koji očekujete od NAPOLEON-a.

NAPOLEON garantira, da se dijelovi vašeg novog NAPOLEON proizvoda neće oštetiti u periodu od datuma kupnje do:

Emajlirani poklopac I posuda	10 godina
Sustav zračenja	5 godina puno jamstvo, uz popust od 50% do 10 godina
Emajlirane rešetke za pečenje od ljevanog željeza	5 godina puno jamstvo, uz popust od 50% do 10 godina
Kromirane rešetke za pečenje	3 godine puno jamstvo, uz popust od 50% do 10 godina
Ostali dijelovi	2 godine

*Uvjeti i ograničenja

Ovo Ograničeno jamstvo važi za jamstveno razdoblje kako je navedeno u prethodnoj tablici, za bilo koji proizvod kupljen preko ovlaštenog NAPOLEON zastupnika, i prema sljedećim uvjetima i ograničenjima: daje prvom kupcu pravo na određenu maržu u odnosu na bilo koju komponentu zamijenjenu unutar jamstvenog roka od Napoleona ili ovlaštenog NAPOLEON trgovca zamijena komponente takvog proizvoda koji je uslijed uobičajenog korištenja neodgovarajuća. „50% popusta“ je navedeno u tablici znači da je komponenta je dostupna kupcu s 50 posto popusta od normalne maloprodajne cijene komponente za određeno razdoblje. Ovo ograničeno jamstvo ne pokriva dodatke ili bonus predmete.

Za povećanu sigurnost „uobičajeno privatno korištenje“ proizvoda znači da proizvod: instalirani od strane ovlaštenog servisa ili tehnika u skladu s uputama za postavljanje koje prate proizvod sa svim lokalnim i nacionalnim stambenim posjedima i protupožarnih propisa; da se proizvod pravilno održava i nije bio korišten u komercijalne svrhe.

Slične „pogreške zbog nepravilnog korištenja“ ne uključuje: požare, paljenja uzrokovano uvjetima okoliša, kao što su jaki vjetrovi, ili nedovoljne ventilacije, ogrebotina, upad, korozije, gubitak boje kod dijelova obojenih i presvučenih oblogom, diskoloracije prouzročene toplinom, abrazivna i kemijska sredstva za čišćenje ili izloženost UV zrakama, pucanje porculana emajliranih dijelova ili oštećenja uzrokovanih zlouporabom, nesreće, tuče, požara nastalog zbog nakupljanja ulja, neodržavanja, nepovoljnim okruženjima poput soli ili klora, izmjenama, zlostavljanja, zanemarivanja ili dijelova izgrađenih od drugih

proizvođača. U slučaju pogoršanja dijelova podignutom na razinu neučinkovitosti (korozije kvara ili spaljivanje) za vrijeme trajanja prihvatljivog jamstva će se riješiti zamjenski dio.

Zamjenska komponenta isključiva je odgovornost NAPOLEON- a definiranog ovim Ograničenim jamstvom; Ni u kojem slučaju NAPOLEON neće biti odgovoran za instalaciju ili druge troškove ili troškove vezane uz ponovnu ugradnju jamstvenog dijela, za bilo kakvu slučajnu, posljedičnu ili neizravnu štetu ili bilo kakve troškove prijevoza, troškove rada ili carine.

Ovo ograničeno jamstvo je osigurano uz sva prava koja vam pružaju lokalni zakoni. Sukladno tome, ovo Ograničeno jamstvo ne obvezuje NAPOLEON da drži dijelove na zalih. Na temelju raspoloživosti dijelova, NAPOLEON može po vlastitom nahođenju izvršiti sve obveze pružajući korisnicima procijenjeni odobrenje prema novom proizvodu. Nakon prve godine, s obzirom na ovo ograničeno jamstvo, NAPOLEON može, prema vlastitom nahođenju, u cijelosti ispuniti sve obveze u vezi s ovim jamstvom vraćanjem originalnom jamstvenom kupcu veleprodajnu cijenu bilo kojeg jamstvenog ali neispravnog dijela.

Uvažavanje garancije NAPOLEON moguće je uz predočenje računa ili kopije zajedno sa brojem modela i serijskim brojem uređaja.

NAPOLEON zadržava pravo pregleda proizvoda i dijelova prije uvažavanja garancije. Morate se obratiti službi za korisnike NAPOLEON ili ovlaštenom NAPOLEON zastupniku za dobivanje koristi od pokrića jamstva.



napoleongrills.com



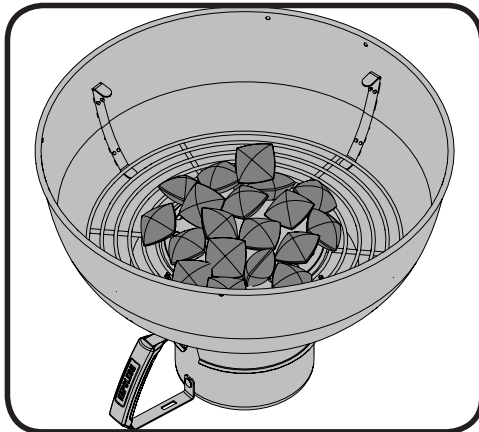
UPOZORENJE! Ako ne slijedite upute, može doći do štete, ozljede ili smrti. Pažljivo pročitajte i slijedite upute u priručniku prije upotrebe roštilja.

SIGURNO RUKOVANJE UREĐAJEM

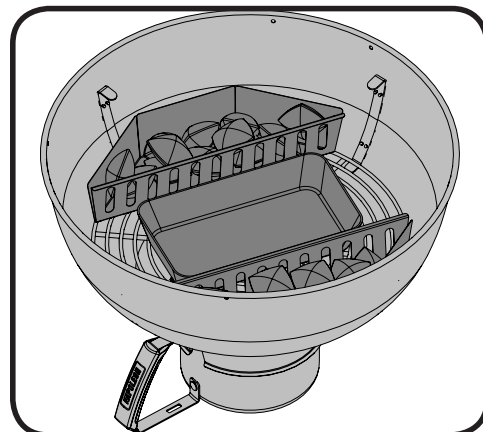
- Pročitajte upute prije rukovanja uređajem.
- Roštilj ne smijete mijenjati.
- Slijedite upute za paljenje roštilja.
- Ugljen ne smijete zapaliti sa zatvorenim poklopcem.
- Ne naginjte se preko roštilja tijekom procesa paljenja.
- Nemojte koristiti benzin, alkohol i druge zapaljive tekućine. Koristite ISKLJUČIVO tekućinu za paljenje ugljena.
- Tekućina za paljenje ugljena ne smije se dolijevati na topao ili vruć ugljen.
- Tekućinu za paljenje ugljena pohranjujte na sigurnoj udaljenosti od roštilja (najmanje 8 m)
- Držite djecu i kućne ljubimce na sigurnoj udaljenosti od roštilja; djeca se ne smiju penjati u unutrašnjost roštilja.
- Tijekom upotrebe ne ostavljajte roštilj bez nadzora.
- Roštilj se ne smije koristiti u rekreacijskih vozilima i brodovima.
- Roštilj pohranjujte vani. Ne smije se koristiti u zgradama, garažama, terasama, paviljonima ili bilo kojim drugim zatvorenim prostorima.
- Roštilj držite na sigurnoj udaljenosti od lako zapaljivih površina.
- Otvori za ventilaciju moraju uvijek biti otvoreni i čisti.
- Nemojte koristiti roštilj ispod lako zapaljivih materijala.
- Nemojte koristiti roštilj na vjetrovitim mjestima.
- Držite poklopac zatvorenim tijekom zagrijavanja roštilja.
- Pladanj za pepeo/masnoću mora biti namješten tijekom korištenja roštilja.
- Pladanj za pepeo/masnoću mora se redovito čistiti.
- Nemojte koristiti bočne police za pohranjivanje upaljača, šibica i drugih zapaljivih materijala.
- Roštilj se uvijek mora nalaziti na tlu.
- Nemojte koristiti vodu za kontroliranje jačine plamena.
- Za kontroliranje jačine plamena regulirajte otvore na roštilju. Za potpuno gašenje roštilja zatvorite otvore i poklopac.
- Koristite odgovarajuću opremu za roštilj.
- Koristite zaštitne kuhinjske rukavice pri korištenju roštilja.
- Nemojte očistiti pepeo iz roštilja dok sav ugljen ne izgori. Ostavite roštilj da se ohladi.
- Pepeo se mora odstraniti iz roštilja i pohraniti u nezapaljivom metalnom kontejneru. Ostavite pepeo u kontejneru 24 sata prije odlaganja.
- Držite električne kablove podalje od vrućih površina.
- Gorenjem ugljena nastaju nusprodukti koji mogu biti kancerogeni. Pri upotrebi roštilja uvijek osigurajte pravilnu ventilaciju kako bi se minimaliziralo izlaganje kancerogenim tvarima.

Upute za paljenje

DIRECT COOKING



INDIRECT COOKING



Potrošnja ugljena

Promjer roštilja	Metoda pečenja	Preporučena količina ugljena
22" (56cm)	Direktno	50
22" (56cm)	Indirektno	25 na svaku stranu (zasvaki dodatni sat pečenja, dodajte 8 briketa na svaku stranu)

*Procjena potrošnje je pridržljiva; za duže pečenje potrebno je dodavanje ugljena. Pečenje pri nižim temperaturama i u vjetrovitim uvjetima također zahtijeva dodavanje ugljena..

HR



UPOZORENJE! Otvorite poklopac.

UPOZORENJE! Roštilj postavite vani, na čvrstoj i ravnoj površini. Nemojte koristiti roštilj na drvenim ili drugim lako zapaljivim površinama.

UPOZORENJE! Ne naginjite se preko roštilja tijekom paljenja ugljena.

UPOZORENJE! Posuda za pepeo mora biti namještena tijekom korištenja roštilja.

DIREKTNO PEČENJE	INDIREKTNO PEČENJE
1. Potpuno otvorite otvore na poklopcu i roštilju. Odstranite poklopac roštilja i rešetku.	1. Potpuno otvorite otvore na poklopcu i roštilju. Odstranite poklopac roštilja i rešetku.
2. Provjerite je li posuda za pepeo čista.	2. Provjerite je li posuda za pepeo čista.
3. Roštilj se može koristiti sa ili bez deflektora zraka. Deflektor osigurava ravnomjernu raspodjelu temperature i usporava gorenje u središtu roštilja. Postavite kocke za potpalu ili papir na i oko deflektora zraka. Postavite ugljen u stožastu hrpu u sredini roštilja na papir ili kocke.	3. Odstranite deflektor zraka i postavite posudu za kapanje. Postavite košarice za ugljen na svaku stranu posude. Postavite kocke za potpalu ili papir u košarice i na njih stavite ugljen. .
4. Zapalite papir ili kocke za potpalu. Zatvorite poklopac i ostavite ugljen da gori dok nije pokriven svjetlo sivim pepelom (približno 20 minuta).	4. Zapalite papir ili kocke za potpalu. Zatvorite poklopac i ostavite ugljen da gori dok nije pokriven svjetlo sivim pepelom (približno 20 minuta).
5. Hvataljkama rasporedite ugljen tako da pokrije cijelu površinu rešetaka (uključujući Deflektor zraka).	



Tekućinu za paljenje ugljena možete koristiti, iako to nije poželjno zbog nepraktičnosti i mogućeg okusa po kemikalijama na hrani u slučaju nepravilne upotrebe. Nikada ne podlijevajte upaljeni ugljen tekućinom. Bocu pohranjujte na udaljenosti od najmanje 8 m tijekom upotrebe roštilja.

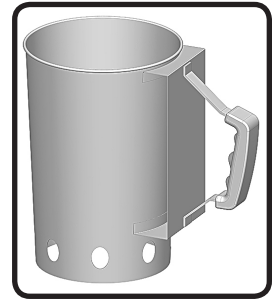
Upute za sigurno korištenje startera za potpalu ugljena

UPOZORENJE!



- Samo za vanjsku upotrebu.
- Roštilj mora biti postavljen na čvrstoj i ravnoj površini.
- Nemojte postavljati starter na lako zapaljive površine ako nije potpuno ohlađen.
- Zabranjeno korištenje tekućine za upaljače, benzina i samozapaljivog ugljena u starteru.
- Starter koristite samo za paljenje ugljena u roštilju.
- Uvijek koristite zaštitne rukavice pri rukovanju starterom.
- Djecu i kućne ljubimce držite na sigurnoj udaljenosti.
- Nemojte koristiti starter u vjetrovitim uvjetima.
- Nemojte ostavljati starter bez nadzora tijekom upotrebe.
- Nemojte se naginjati preko startera tijekom paljenja.
- Nemojte koristiti starter za pripremu hrane.
- Budite pažljivi pri stresanju vrućeg ugljena iz startera.

CHARCOAL STARTER



Korištenje startera za potpalu ugljena

- Okrenite starter naglavačke.
- Stavite dva zgužvana lista papira na dno startera.
- Okrenute desnu stranu startera prema gore i stavite ga na sredinurešetke za ugljen.
- Stavite željenu količinu ugljena u starter.
- Zapaljenu šibicu stavite u jedan od donjih otvora i zapalite papir.
- Kada se na gornjem sloju ugljena pojavi sloj sivog pepela, stesite vrući ugljen na rešetku ili u košarice za ugljen. Budite pažljivi i koristite zaštitne rukavice.
- Hvataljkama ravnomjerno rasporedite ugljen.

Vodič za kuhanje z ogljem

Oglje se uporablja pri tradicionalnem načinu kuhanja, ki ga vsi poznamo. Žareči briketi oddajajo infrardečo energijo hrani, ki se kuha, z zelo majhnim učinkom sušenja. Vsi sokovi in olja, ki iztečejo iz hrane, kapljajo na oglje in izhlapevajo v dimu, ki daje hrani svoj slasten okus po žaru. Rezultat tega je, da Napoleonovi žari na oglje proizvajajo toploto peke za bolj sočne, okusnejše zrezke, hamburgerje in drugo meso. Za čase kuhanja in nasvete glejte Tabelo za pečenje na oglju.

Naslednja tabela za žar je mišljena le kot vodilo. Na čase kuhanja vplivajo dejavniki, kot so nadmorska višina, zunanja temperatura, veter in želena stopnja pečenja, kar se lahko odraža pri časih kuhanja. Uporabite termometer za meso, da zagotovite ustrezno kuhano hrano.

Tabela pečenja na ugljenu

Hrana	Direktno/indirektno pečenje	Vrijeme pečenja	Savjeti
Odrezak (debljina 2,5 cm)	Direktno pečenje	6 – 8 min. – srednje	Odaberite meso sa više masnoće. Masnoća će meso omekšati tijekom pečenja i napraviti ga sočijijiw.
Pljeskavica (debljina 1,3 cm)	Direktno pečenje	6 – 8 min. – srednje	Prilagodite debljinu pljeskavice za pripremu hamburgera prema svim okusima.
Komadići piletine	Direktno pečenje (2min. za svaku stranu) Indirektno pečenje (preostalih 18 – 20 min)	20 – 25 min	Prorežite $\frac{3}{4}$ zgloda između batka i zabatka i postavite meso na roštilj kako bi se brže i ravnomjernije ispeklo.
Svinjski odrezak	Direktno pečenje	1.5 – (sata ;uz često okretanje)	Uklonite višak masnoće prije pečenja. Odaberite deblje odreske.
Rebarca	Direktno pečenje 9 min. Indirektno pečenje do kraja pripreme	1.5 – (sata ;uz često okretanje)	Odaberite meso s manje masnoće. Pecite dok se meso ne počne s lakoćom odvajati od kosti.
Janjetina	Direktno pečenje	25 – 30 min.	Uklonite višak masnoće prije pečenja. Odaberite deblje odreske.
Hrenovke	Direktno pečenje	4- 6 min	Odaberite veće hrenovke i prerežite ih po duljini.

Upute za kuhanje

Prvo paljenje: Prilikom prvog paljenja pojavit će se neugodan miris. To je potpuno normalno stanje uzrokovano gorenjem boja i maziva korištenih u procesu proizvodnje i događa se samo pri prvom paljenju. Ostavite glavne grijače upaljene na najjačem plamenu pola sata. Poklopac i vrata potpuno otvorite.

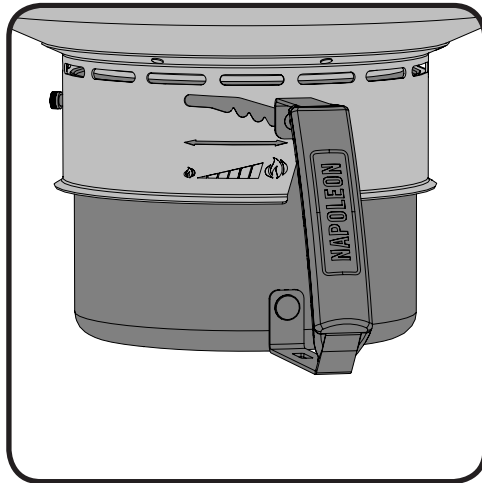
Korištenje roštilja: Preporučujemo grijanje roštilja sa zatvorenim poklopcem (približno 20 minuta). Ugljen je spreman kada se na njemu pojavi sloj sivog pepela. Hranu s kraćim vremenom pripreme (ribu, povrće) možete peći s otvorenim poklopcem. Pečenje sa zatvorenim poklopcem omogućuje postizanje većih i jednakomjernih temperatura. Pri pečenju mesa s malim udjelom masnoće (pilećih prsa ili krte svinjetine), rešetke možete namazati uljem kako meso ne bi prianjalo. Pečenje mesa s velikim udjelom masnoće može uzrokovati nekontrolirani plamen. Odstranite višak masnoće ili smanjite temperaturu pečenja. Ako dođe do pojave plamena, odmaknite hranu, smanjite toplinu (prtvorite rešetke) i ostavite otvoren poklopac. Za pripremu 1kg mesa uobičajeno je iskoristiti približno 50 briketa ugljena. Ako meso pečete više od 30 ili 40 minuta, potrebno je dodati ugljen. U hladnim i vjetrovitim uvjetima potreba je dodati više ugljena za postizanje idealnih temperatura za pečenje.

Dodavanje ugljena tijekom pečenja: Pažljivo dodajte ugljen u roštilj. Može doći do plamena pri doticaju ugljena i svježeg zraka. Postavite se na sigurnu udaljenost i koristite duge toplinski odporne hvataljke za dodavanje dodatnog ugljena.

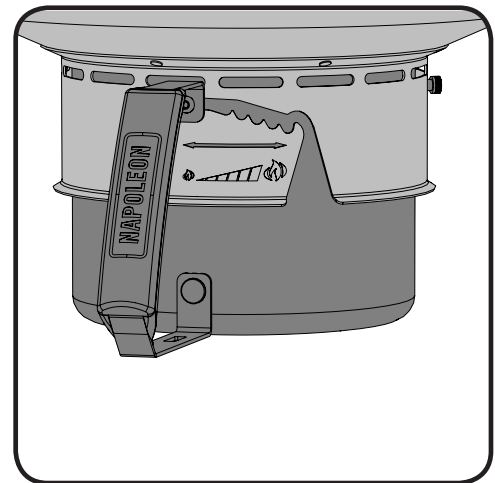


UPOZORENJE! Vrući ugljen nikada nemojte podlijevati tekućinom za paljenje ugljena.

Upotreba otvora: otvori na pokrivenom roštilju obično moraju biti otvoreni kako bi zrak mogao ući u roštilj. Zrak povećava temperaturu gorenja ugljena. Temperaturu roštilja možete regulirati zatvaranjem i otvaranjem otvora (pomicanjem poklopca u lijevo i u desno). Djelomično ili potpuno zatvaranje otvora pomaže pri hlađenju ugljena. Nemojte potpuno zatvoriti otvore, osim ako želite ugasiti plamen.



Vent Open



Vent Closed

HR

SIGURNO RUKOVANJE ROŠTILJEM NAKON KORIŠTENJA



UPOZORENJE! Slijedite upute za sigurno rukovanje i zaštitite sebe i svoju imovinu.

- Zatvorite poklopac i sve otvore kako biste ugasili vatru.
- Ostavite roštilj da se potpuno ohladi.
- Nemojte ostavljati ugljen i pepeo u roštilju. Ugljen i pepeo moraju biti potpuno ugašeni prije čišćenja roštilja.
- Metalnom strugalicom odstranite preostali ugljen i pepeo iz roštilja. Stavite ih u metalni kontejner i prelijte vodom. Prije odlaganja ostavite u kontejneru dodatnih 24 sata.

Upute za čišćenje i održavanje

Nakon svake upotrebe očistite pepeo i posudu za kapanje.



UPOZORENJE! Roštilj mora biti hladan, a sav ugljen potpuno ugašen prije odstranjivanja dijelova.

UPOZORENJE! Uvijek upotrebljavajte zaštitne rukavice i naočale pri čišćenju roštilja.

UPOZORENJE! Ne koristiti visokotlačnog uređaja za čišćenje bilo kojeg dijela roštilja.

UPOZORENJE! Izbegnite mogućnost opekotina i čistite roštilj samo kad je hladan. Izbjegavajte kontakt sa vrućim površinama. Roštilj čistite u prostoriji gdje sredstva za čišćenje neće uzrokovati štetu. Nemojte koristiti pećnicu sa sistemom za samočišćenje. Barbecue umak i sol mogu uzrokovati štetu ako roštilj nije redovito očišćen i održavan.

Rešetke za pečenje i zagrijavanje: Rešetke je najbolje čistiti mesing žičanom četkom tijekom procesa zagrijavanja. Za tvrdokorne mrlje možete upotrijebiti čeličnu vunu.

Čišćenje unutrašnjosti roštilja: Odstranite rešetke. Mesing žičanom četkom očistite ostatke sa strane i s poklopca. Ostružite ploče strugalicom, a pepeo očistite žičanom četkom. Očistite komadiće ostataka iz unutrašnjosti roštilja u posudu za kapanje. Ako želite, možete oprati unutrašnjost roštilja s blagim deterdžentom i vodom. Temeljito isprati vodom i krpom osušiti.



UPOZORENJE! Nakupljena masnoća može uzrokovati požar. Očistite posudu za kapanje nakon svakog korištenja, kako biste izbjegnuli nakupljanje masnoće

Posuda za pepeo: pepeo i masnoća padaju na posudu za pepeo koja se nalazi ispod ugljena. Odstranite posudu kako biste ju mogli očistiti. Posudu nemojte oblagati aluminijskom folijom ili drugim materijalima. Posudu očistite strugalicom, a ostatke odložite u nezapaljivi metalni kontejner. Operite posudu blagim deterdžentom i vodom. Temeljito isperite i osušite krpom.

Čišćenje vanjske površine roštilja: Nemojte koristiti abrazivna sredstva ili čeličnu vunu na obojenu dijelovima, dijelovima od porculana i dijelovima od nehrđajućeg čelika. Njihovo korištenje oštetit će završni sloj na površinama. Površinu roštilja čistite toplom vodom i sapunom dok je roštilj još topao na dodir. Za čišćenje površina od nehrđajućeg čelika upotrijebite poseban deterdžent za čišćenje čelika. Dijelovi od nehrđajućeg čelika će s vremenom izgubiti boju zbog visokih temperatura i postati zlatne ili smeđe boje. Gubitak boje je normalan i ne utječe na rad roštilja. Emajlirane dijelove treba pažljivo čistiti. Emajlirani dio za pečenje je sličan površini stakla i lako će se odlomiti pri udarcu. Gladilni emajl dostupan je kod trgovca Napoleon roštilja.

Rešetke od lijevanog željeza: Nude vrhunsko zadržavanje i raspoređivanje topline. Redovitim podmazivanjem rešetaka uljem stvorit će se zaštitni sloj koji pomaže sprječavanju korozije i sprječava prijanjanje hrane.

Prvo korištenje: Prije prvog korištenja ručno operite rešetke blagim sapunom i vodom. Nemojte ih stavljati u perilicu suđa. Temeljito isperite vrućom vodom i osušite mekanom krpom. To je posebice važno zbog sprječavanja ulaska vlage u lijevano željezo.

Podmazivanje: Mekanom krpom namažite **biljno ulje** preko cijele površine rešetaka. Nemojte upotrebljavati margarinu i maslac. Rešetke stavite u roštilj koji ste prethodno 15 minuta zagrijavali. Upalite plamenike na srednju jačinu i zatvorite poklopac. Ostavite pola sata. Isključite sve plamenike i ostavite rešetke da se ohlade. Ponovite proces s vremena na vrijeme (nije potrebno ponavljati na dnevnoj bazi).

Svakodnevna upotreba: Prije zagrijavanja roštilja i čišćenja mesing žičanom četkom za roštilj, površinu rešetaka za pečenje premažite **biljnim uljem**. Zagrijte roštilj i očistite neželjene ostatke mesing žičanom četkom.

Rješavanje problema

Problem	Mogući uzrok	Rješenje
Preniska temperatura.	Nepravilno zagrijavanje. Nedovoljan protok zraka. Premala količina ugljena. Učestalo otvaranje poklopca.	Ugljen u roštilju mora gorjeti 20-25 minuta s pokrivenim poklopcem. Otvorite otvore. Dodajte ugljen. Ne otvarajte poklopac.
Prejaki plamen/neravnomjerno raspoređena toplina.	Nepravilno zagrijavanje. Nakupljena masnoća i pepeo.	Ugljen u roštilju mora gorjeti 20-25 minuta s pokrivenim poklopcem. Redovito čistite posudu za pepeo i masnoću.
Guljenje »boje« s unutrašnjosti roštilja.	Nakupljena masnoća.	Ovo nije kvar. Završni sloj je porculan i neće se oguliti. »Guljenje« je prouzročeno stvrdnutom masnoćom. Redovitim čišćenjem spriječit ćete ovu pojavu. Pročitajte upute za čišćenje.

Pregled rada s roštiljem na ugljen

Paljenje roštilja

- Prije prvog kuhanja ostavite roštilj, da se zagrije 30 minuta s otvorenim poklopcem i bazom za provetravanje. Tako će izgorijeti boje i maziva korištena u procesu proizvodnje.
- Potpuno otvorite otvor na poklopcu i bazi na svaki put kada zapalite roštilj.
- Poskrbite, da je posoda za pepel očišćena od prejšnje uporabe in ponovno namešćena. Provjerite je li spremnik pepela čist od prethodnog korištenja i ponovno namješten.
- Roštilj se može koristiti bilo sa ili bez deflektora. Deflektor osigurava stabilne temperature i usporava brzinu gorenja u sredini roštilja.
- Upotrebite Ultrachef starter za podpalu ugljena (nije uključen) prema uputama, ili pa postavite kocke za paljenje ili lagano zgužvani list na i oko zraka deflektor Postavite ugljen v obliku stožca na sredini jedinice (direktna metoda kuhanja) ili opcijsko u košare za ugljen (indirektna metoda).
- Kada je roštilj u potpunosti upaljen, zatvorite poklopac i neka ugljen izgori dok nije svijetlo sive boje (oko 20 minuta), te rasporedite ugljen pomoću kliješta s ručkama otpornim na toplinu, ovisno o načinu kuhanja koji ćete koristiti.
- Tekućina za paljenje može se koristiti za paljenje ugljena, ali to nije najbolja metoda. Može sve zaprljati i ostaviti kemijski okus hrane ako prije kuhanja, u potpunosti ne izgori. Kad gori nikada nemojte dodavati dodatnu tekućinu za paljenje. Držite bocu najmanje 25 ft (7,6m) od roštilja tijekom upotrebe.
- Dodatni okus dima je mogoće doseći z dodavanjem kadilnih lističev, ki so na voljo v različnih okusih pri vašem prodajalcu Napoleon žarov. Dodatni okus dima može se postići dodavanjem čipova za dimljenje, koji su dostupni u različitim okusima kod distributera Napoleon roštilja.

Kuhanje s roštiljem

- Preporučujemo grijanje roštilja sa zatvorenim poklopcem približno 20minuta.Ugljen je spreman kad se na njemu pojavi sloj sivog pepela.
- Za pripremu 1kg mesa uobičajeno je iskoristiti približno 50 briketa ugljena. Ako meso pečete više od 30 ili 40 minuta, potrebno je dodati ugljen. U hladnim i vjetrovnim uvjetima potrebno je dodati više ugljena za postizanje idealnih temperatura pečenja.
- Pažljivo dodajte ugljen u roštilj. Može doći do plamena pri doticaju ugljena i svježeg zraka. Postavite se na sigurno udaljenost i koristite hvataljke ručkama otpornim na toplinu za dodavanje ugljena.
- Otvori na pokrivenom roštilju obično moraju biti otvoreni kako bi zrak mogao ući u roštilj. Zrak povećava temperaturu gorenja ugljena. Temperatura roštilja možete regulirati zatvaranjem i otvaranjem otvora ;pomicanjem poklopca u lijevo i u desno.
- Pustite da se hrana kuhana s zatvorenim poklopcem. Svaki put kad otvorite poklopac, temperatura pada. Rezultat je niža temperatura i duže vrijeme kuhanja.
- Djelomično ili potpuno zatvaranje otvora pomaže pri hlađenju ugljena. Nemojte potpuno zatvoriti otvore, osi mako želite ugasiti plamen.
- Kuhalno rešetko lahko pred predgrevanjem naoljimo za zmanjšanje lepljenja. Rešetka se može prije grijanja podmazati uljem radi smanjenja prijanjanja.
- Koristite termometar za meso kako bi se osiguralo da hrana bude dovoljno kuhana.

Čišćenje roštilja

- Zatvorite poklopac i sve otvore kako biste ugasili vatru.
- Ostavite roštilj da se potpuno ohladi prije rukovanja
- Nemojte ostavljati ugljen i pepeo u roštilju. Ugljen i pepeo moraju biti potpuno ugašeni prije čišćenja roštilja.
- Metalnom strugalicom odstranite preostali ugljen i pepeo iz roštilja. Stavite ih u metalni kontejner i prelijte vodom. Prije odlaganja ostavite u kontejneru dodatnih 24 sata.
- Mesing žičanom četkom očistite prašine u posudi i unutrašnjost poklopca.
- Unutrašnjost roštilja možete oprati blagim deterdžentom i vodom. Temeljito isperite i osušite krpom.
- Emajlirane komponente treba pažljivo čistiti. Emajlirani dio za pečenje je sličan površini stakla i lako će se odlomiti pri udarcu. Emajl za zaglađivanje emajl je dostupan kod prodavača Napoleon roštilja.

Spremite svoj račun kao dokaz o kupnji za jamstveni servis.

Naručivanje rezervnih dijelova

Informacije o jamstvu

MODEL: _____

DATUM KUPNJE: _____

SERIJSKI BROJ: _____

(Evidencija o informacijama za lakše pretraživanje)

Prije nego pozovete servis, provjerite NAC Web stranica za detaljnije čišćenje, održavanje, otklanjanje poteškoća i upute za zamjenu rezervnih dijelova u www.napoleongrills.pl. Obratite se izravno na tvornicu vezano na rezervne dijelove i jamstvima. Naš predstavnik za usluge dostupan je od 8 do 16 sati 00386 7133466. Za obrada zahtjeva treba priložiti sljedeće podatke:

1. Model i serijski broj jedinice
2. Broj rezervnog dijela in opis.
3. Detaljan opis problema ('razbijen nije dovoljno')
4. Dokaz o kupnji (fotokopija računa).

U nekim slučajevima, predstavnik kupca zahtijeva da se dijelovi vrate u tvornicu na pregled. Prije potrebno osigurati rezervne dijelove. Ovi dijelovi moraju biti plaćani unaprijed i poslani na servis sa sljedećim informacijama.

1. Model i serijski broj jedinice.
2. Detaljan opis problema ('razbijen nije ni dovoljno')
3. Dokaz o kupnji (fotokopija računa).
4. Povratni avtorizacijski broj – primljen od predstavnika za servis.

Prije nego što se obratite na predstavnika za servis, treba znati, da sljedeće stavke nisu pokrivena jamstvom.

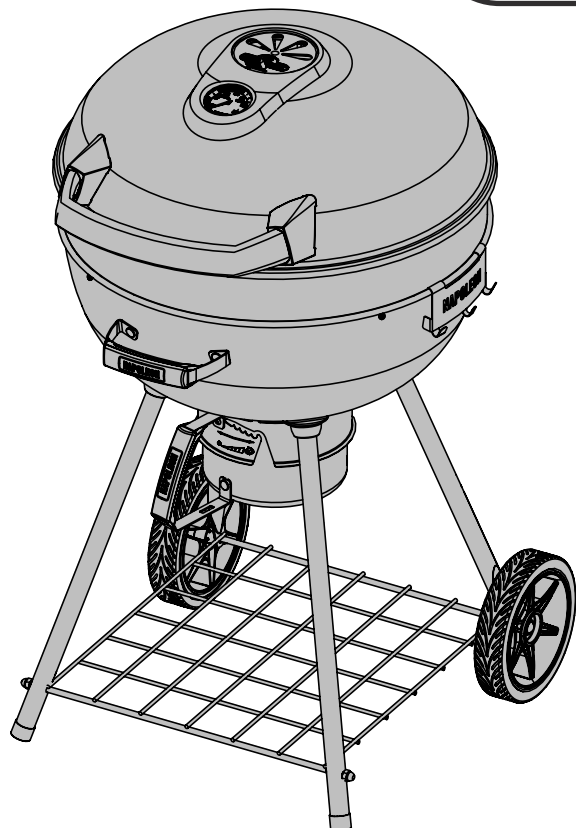
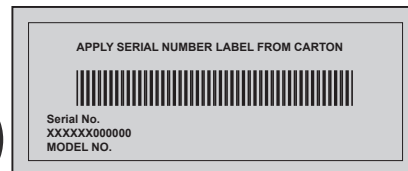
- Troškovi transporta, posredovanje ili izvozne carine.
- Troškovi rada za uklanjanje i ponovnu montažu.
- Troškovi usluga za dijagnosticiranje problema..
- Promjena boje dijelova od nehrđajućeg čelika.
- Šteta na djelovima zbog nedostatka čišćenja i održavanja ili upotrebe nepravilnih detergenta (detergenti za pećnice) čišćenje.

HR

PRIROČNIK ZA SESTAVO IN VZDRŽEVANJE ŽARA.

TA ŽAR SE UPORABLJA ZUNA JV DOBRO PREZRAČEVANIH PROSTORIH.

SHRANITE NAVODILA ZA POZNEJŠO UPORABO.

OUTDOOR CHARCOAL GRILL**PRO22K-LEG-2**

SI

! OPOZORILO

Ne poskušajte prižgati te naprave, ne da bi prebrali dela "NAVODIL ZA PRIŽIGANJE" v tem priročniku.

! NEVARNOST

Kurjenje oglja oddaja ogljikov monoksid. Ne kurite oglja v domovih, garažah, šotorih, vozilih ali katerih koli zaprtih prostorih.



OPOZORILO! Neupoštevanje teh navodil lahko povzroči poškodbe lastnine, telesne poškodbe ali smrt.

Wolf Steel Europe BV
Poppenbouwing 29-31, 4191 NZ Geldermalsen,
CCI No. 51509970, THE NETHERLANDS
info@napoleongrills.nl

Napoleon President's 10 letna omejena garancija



Izdelki NAPOLEON so zasnovani z vrhunskimi komponentami in materiali katere sestavljajo usposobljeni mojstri, ki se zelo ponosni na svoje delo. Pred pakiranjem in pošiljanjem je bil ta izdelek temeljito pregledan s kvalificiranim tehnikom, da bi zagotovili, da kupec dobi kakovosten izdelek, ki ga pričakujete od podjetja NAPOLEON.

NAPOLEON jamči, da sestavni deli v vašem novem NAPOLEON izdelku ne bodo imeli napak v materialu in izdelavi od datuma nakupa, v naslednjih obdobjih:

Porcelansko emajliran pokrov in posoda	10 let
Zračnik	5 let polno jamstvo, plus 50% popusta do preteka 10let
Porcelansko emajlirane kuhalne rešetke iz litega železa	5 let polno jamstvo, plus 50% popusta do preteka 10let
Kromirane kuhalne rešetke	3 leta polno jamstvo, plus 50% popusta do preteka 10let
Vsi ostali deli	2 leti

*Pogoji in omejitve

Ta Napoleonova omejena garancija jamči, kot je določeno v prej omenjeni tabeli, za vse izdelke, kupljene prek pooblaščenega prodajalca NAPOLEON, in ob upoštevanju naslednjih pogojev in omejitev: daje prvotnemu kupcu pravico do določenega kritja v zvezi s katero koli komponento, zamenjano v garancijskem roku, bodisi s strani NAPOLEONA ali pooblaščenega NAPOLEON prodajalca, da nadomestijo komponento takega izdelka, ki je zaradi običajne zasebne uporabe neuspešna. "50% popusta", navedenega v tabeli, pomeni, da je komponenta na voljo kupcu z 50-odstotnim popustom od običajne maloprodajne cene komponente za navedeno obdobje. Ta omejena garancija ne zajema dodatkov ali bonusnih izdelkov.

Za večjo varnost "običajna zasebna raba" izdelka pomeni, da je izdelek nameščen s strani pooblaščenega servisa oz. tehnika v skladu z navodili za vgradnjo, ki so priložena izdelku z vsemi lokalnimi in nacionalnimi stanovniškimi ter požarnimi predpisi; da je izdelek ustrezno vzdrževan in ni bil uporabljen v komercialne namene.

Podobne "napake zaradi nepravilne uprabe" ne vključujejo: prekomerno žganje, vžigi, ki jih povzročajo okoljski pogoji, kot so močni vetrovi ali neustrezno prezračevanje, praske, vdori, korozija, poslabšanje barvanih in prevlečenih oblog, razbarvanje zaradi toplote, abrazivnih ali kemičnih čistil ali UV-izpostavljenost, pokanje porcelanastih emajliranih delov ali poškodbe, ki so posledica zlorabe, nesreče, toče, maščobnih požarov, pomanjkanje vzdrževanja, sovražnih okolij, kot so sol ali klor, spremembe, zloraba, zanemarjanje ali delov vgrajenih od drugih proizvajalcev. V primeru poslabšanja

delov pojavilo do stopnje neučinkovitosti (prerjavanje ali izgorevanje) v času trajanja upravičene garancije, bo zagotovljen nadomestni del.

Za nadomestno komponento je izključno odgovornost NAPOLEON-a, ki jo določa ta omejena garancija; V nobenem primeru NAPOLEON ne bo odgovoren za stroške namestitve ali druge stroške ali izdatke, ki so nastali v zvezi z vnovično namestitvijo garantiranega dela za kakršno koli naključno, posledično ali posredno škodo ali za kakršno koli prevozne stroške, stroške dela ali izvozne dajatve.

Ta omejena garancija je zagotovljena poleg pravic, ki vam jih ponujajo lokalni zakoni. V skladu s tem ta omejena garancija podjetju NAPOLEON ne nalaga, da drži dele na zalogi. Na podlagi razpoložljivosti delov lahko NAPOLEON po lastni presoji izpolni vse obveznosti, tako da kupcu zagotovi ugodno posojilo za nov izdelek. Po prvem letu lahko v zvezi s to omejeno garancijo NAPOLEON po lastni presoji v celoti izpolnjuje vse obveznosti v zvezi s to garancijo tako, da prvotnemu upravičenemu kupcu povrne veleprodajno ceno vseh upravičenih, a okvarjenih delov.

V primeru zahteve za uveljavitev garancije podjetja NAPOLEON bo potrebno priložiti račun ali kopijo računa skupaj s serijsko številko in številko modela, ko bo od NAPOLEON prodajalca zahtevala kakršno koli garancijske zahteve NAPOLEON si pridržuje pravico do pregleda izdelka preden izpolni garancijske zahteve. Za pridobitev koristi od kritja garancije se obrnite na servisno službo NAPOLEON ali na pooblaščenega prodajalca NAPOLEON.

SI



napoleongrills.com



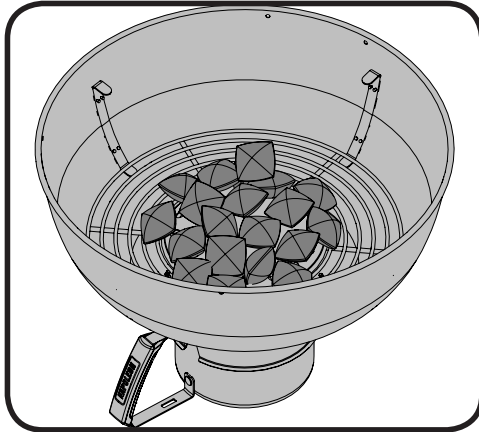
OPOZORILO! Neupoštevanje teh navodil lahko povzroči poškodbe lastnine, telesne poškodbe ali smrt. Pred uporabo plinskega žara preberite in upoštevajte vsa opozorila in navodila v tem priročniku.

Priporočila za varno uporabo

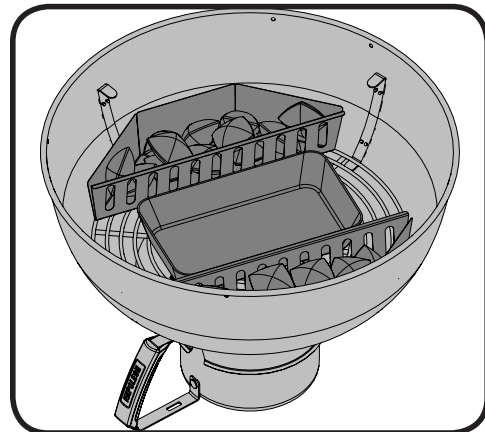
- Pred uporabo žara preberite celotna navodila za uporabo.
- V nobenem primeru se žara ne sme spreminjati.
- Pri obratovanju žara upoštevajte natančno navodila glede prižiganja.
- Ne prižigajte oglja z zaprtim pokrovom.
- Ne naslanjajte se na goreči žar.
- Ne uporabljajte bencina, alkohola ali drugih visoko hlapljivih tekočin za prižiganje briketov. Uporabljajte SAMO odobreno tekočino za vžig oglja. Prepričajte se, da so vse tekočine, ki so iztekle skozi dno žara, odstranjene pred prižiganjem oglja.
- Tekočine za vžig oglja ni potrebno dodati vroči ali topli žerjavici.
- Po uporabi in pred vžigom mora biti tekočina za vžig oglja pokrita in shranjena v varni oddaljenosti od žara, najmanj 25 ft (7,6m).
- Otroci in živali ne smejo biti blizu vročega žara, NE dovolite otrokom, da plezajo v notranjost omare.
- Žar ne puščajte brez nadzora, medtem ko deluje.
- Ne premikajte žara ko je vroč ali ko deluje.
- Žar ne sme biti nameščen v ali na avtomodnih in/ali čolnih.
- Žar je potrebno hraniti le na prostem, v dobro prezračevanem prostoru in se ne sme uporabljati v stavbi, garaži, zimskem vrtu ali kateremkoli drugem zaprtem območju.
- Zagotovite ustrezen odmik od vnetljivih snovi, 5ft (1.5m), z vseh strani. Ta razdalja je priporočljiva ob vinilni strani ali steklenih površinah. Žar se ne sme uporabljati na vnetljivih površinah (lesenih ali sestavljenih podih ali verandah).
- Odprtine za zračenje morajo biti vedno neovirane in očiščene.
- Naprave ne uporabljajte pod gorljivimi konstrukcijami.
- Ne uporabljajte žara pod katero koli strešno konstrukcijo, kot so strešne kritine, nadstreški, platnene strehe in previsi.
- Ne postavljajte žara v vetrovnih pogojih. Močan veter negativno vpliva na kakovost kuhanja žara.
- V obdobju predgretja je potrebno pokrov zapreti.
- Predal za pepel/mast mora biti na mestu, ko žar deluje.
- Redno očistite mastne sledi in plošče, da se prepreči kopičenje, kar lahko privede do požara zaradi masti.
- Ne uporabljajte stranske police za shranjevanje vžigalnikov, vžigalic ali katerih koli drugih gorljivih snovi.
- Žar mora biti v vsakem trenutku na ravni podlagi.
- Ne uporabljajte vode za nadzor izbruha plamena ali gašenje žerjavice, saj lahko poškodujete površino žara.
- Za nadzor izbruha plamena nekoliko zaprite zračnike žara. Da bi v celoti pogasiti žerjavico/požar, zaprite vse zračnike in celoten pokrov.
- Uporabite ustrezna žar orodja z dolgimi, toplotno odpornimi ročaji.
- Uporabite rokavice za žar ali vroče posode za zaščito rok, medtem ko kuhate ali prilagajate zračnike.
- Ne odstranite pepela iz žara, dokler vse oglje popolnoma ne izgori in v celoti ugasne. Pustite dovolj časa, da se ohladi.
- Preostali premog in pepel je treba odstraniti iz žara in shraniti v posodi iz negorljivih kovin ter pustiti v kovinski posodi 24 ur pred odlaganjem.
- Poskrbite, da so električni napajalni kabli oddaljeni od vode ali ogrevanih površin.
- Kalifornijski predlog 65: oglje pri zgorevanju ustvarja stranske proizvode, od katerih so nekateri na seznamu škodljivih sestavin države Kalifornija, ki povzročajo raka in porodne poškodbe. Pri kuhanju z ogljem je potrebno vedno zagotoviti ustrezno prezračevanje enote, da se zmanjša izpostavljenost do teh snovi.

Navodila za vžig

DIRECT COOKING



INDIRECT COOKING



Uporaba oglja

Premer žara	Metoda kuhanja	Priporočeno oglje
22" (56cm)	Neposredno kuhanje Cooking	50
22" (56cm)	Posredno kuhanje	25 na vsako stran *(dodajte 8 na vsako stran za vsako dodatno uro časa kuhanja)

*Priporočila glede oglja so približna, daljši časi kuhanja zahtevajo dodatno dodajanje oglja. Tudi hladnejši, vetrovni pogoji zahtevajo dodatno oglje, da bi dosegli idealne temperature kuhanja.



OPOZORILO! Odprite pokrov.

OPOZORILO! Postavite žar na prostem na trdni, ravni, negorljivi podlagi. Nikoli ne uporabljajte žara na lesenih ali drugih gorljivih površinah.

OPOZORILO! Ne naslanjajte se na žar, ko izgoreva oglje.

OPOZORILO! Ponev za pepel mora biti nameščena med prižiganjem in vedno med uporabo žara.

METODA NEPOSREDNEGA KUHANJA

1. Popolnoma odprite zračnik pokrova in osnove. Odstranite pokrov žara in kuhhalno rešetko.
2. Poskrbite, da je posoda za pepel očiščena od prejšnje uporabe in jo ponovno namestite.
3. Žar se lahko uporablja z ali brez centralnega deflektorja zraka. Deflektor zagotavlja bolj enakomerno temperature in upočasnji stopnjo gorenja v središču žara. Uporabite Ultrachef kamin za prižiganje briketov (ni vključen) po priloženih navodilih v priročniku, ali postavite vžigalne kocke ali rahlo zmečkan časopis na in okoli zračnega deflektorja. Postavite oglje v obliki stožca na sredini enote na časopisu ali na vžigalnih kockah.
4. Prižgite časopis ali vžigalne kocke. Ko oglje gori v celoti, zaprite pokrov in dovolite oglju, da gori, dokler ga ne prekriva svetlo siv pepel (približno 20 minut).
5. S pomočjo klešč z dolgimi, toplotno odpornimi ročaji, razširite oglje, da enakomerno pokriva celotno rešetko (vključno s sredinskim zračnim deflektorjem).

METODA POSREDNEGA KUHANJA

1. Popolnoma odprite zračnik pokrova in osnove. Odstranite pokrov žara in kuhhalno rešetko.
2. Poskrbite, da je posoda za pepel očiščena od prejšnje uporabe in jo ponovno namestite.
3. Odstranite sredinski deflektor zraka in postavite ponev. Po izbiri postavite košare z ogljem na obeh straneh ponev. Uporabite Ultrachef kamin za prižiganje briketov (ni vključen) po priloženih navodilih v priročniku, ali postavite vžigalne kocke ali rahlo zmečkan časopis v košare z ogljem. Postavite oglje v košare na časopis ali na vžigalne kocke.
4. Prižgite časopis ali vžigalne kocke. Ko oglje gori v celoti, zaprite pokrov in dovolite oglju, da gori, dokler ga ne prekriva svetlo siv pepel (približno 20 minut).



Zagonsko tekočino lahko uporabimo za vžig oglja, vendar to ni najprimernejša metoda. Lahko postane umazano in pusti kemični okus na hrani, če pred kuhanjem popolnoma ne izgori. Ko gori nikoli ne dodajamo dodatno zagonsko tekočino na žar. Shranjujte steklenico vsaj 25 ft (7,6m) od žara pri delovanju.

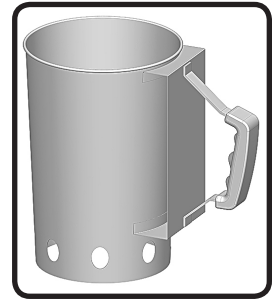
Navodila za varno delovanje kamina za prižiganje briketov:



OPOZORILO!

- Samo za zunanjo uporabo.
- Kamin za prižiganje briketov uporabljajte samo v primeru, če ta stoji na trdni, ravni rešetki za oglje in če žar na oglje stoji na trdni, ravni in negorljivi površini.
- Ne postavljajte kamina za prižiganje briketov na kateri koli gorljivo površino, razen če je kamin za prižiganje briketov popolnoma hladen.
- Ne uporabljajte tekočine za vžigalnike, bencin ali samovžigalno oglje v kaminu za prižiganje briketov.
- Kamin za prižiganje briketov uporabljajte samo za vžig oglja za žar na oglje.
- Pri delu s kaminom za prižiganje briketov vedno nosite zaščitne rokavice.
- Otroci in živali ne smejo biti nikoli blizu kamina za prižiganje briketov.
- Ne uporabljajte kamina za prižiganje briketov, če pihajo močni vetrovi.
- Kamina za prižiganje briketov ne puščajte brez nadzora, medtem ko deluje.
- Med vžiganjem se ne naslanjajte na kamin za prižiganje briketov.
- Kamina za prižiganje briketov nikoli ne uporabljajte drugače, kakor je namenjen.
- Ne uporabljajte ga za pripravo hrane.
- Bodite izredno previdni, ko posipate vroče oglje s pomočjo kamina za prižiganje briketov.

CHARCOAL STARTER



Uporaba kamina za prižiganje briketov

- Obrnite kamin za prižiganje briketov navzdol
- Zmečkajte dva cela lista časopisa in ju natlačite v spodnji del kamina za prižiganje briketov.
- Obrnite kamin za prižiganje briketov navzgor in ga položite v sredino rešetke za oglje.
- Dodajte ustrezno količino oglja, vendar ne prenapolnite.
- Prižgite vžigalico in jo vstavite v enega od spodnjih zračnikov, da se bo vžgal časopis.
- Ko ima vrhnja plast oglja tanko plast sivega pepela, z nošenjem zaščitnih rokavic previdno pretresite vroče oglje na rešetko za oglje (neposredna metoda kuhanja) ali ga postavite v košare za oglje (posredna metoda).
- Ko je vroče oglje postavljeno v žar, ga enakomerno razširite s pomočjo klešč z dolgimi, toplotno odpornimi ročaji.

Vodič za kuhanje na ugljenu

Pečenje na ugljenu je tradicionalni način pripreme hrane. Usijani ugljen emitira infracrveno zračenje i priprema hranu bez efekta sušenja. Sokovi i masnoća koji s hrane kapaju na ugljen isparavaju u obliku dima i daju hrani slastan okus. Napoleonovi roštilji na ugljen idealni su za pripremu sočnih i ukusnih odrezaka, pljeskavica i ostalih vrsta mesa. Za savjete pri pečenju pogledajte tablicu.

Tablica služi kao napatuk pri pripremi hrane. Vrijeme pečenja ponekad treba prilagoditi, ovisno o temperaturi, vjetru, željenom okusu... Koristite termometar za meso kako biste provjerili je li hrana primjereno pripremljena.

Tabela za pečenje na oglju

Hrana	Neposr./posr. toplota	Čas kuhanja	Koristni predlogi
Zrezek 1 in. (2.54cm) debel	Neposredna toplota	6-8 min.– srednje	Pri izbiri mesa za žar izaberite meso z većjim deležem maščobe. Mast deluje kot naravni mehčalec med kuhanjem in meso ohranja vlažno in sočno.
Hamburger 1/2 in (1.27cm) thick	Neposredna toplota	6-8 min.– srednje	Priprava hamburgerjev po naročilu je olajšana s spreminjanjem debeline pleskavice. Če želite dodati eksotični okus vašemu mesu, poskusite dodati sekance ameriškega oreha Napoleon žaru za dimljenje sekancev.
Kosi piščanca	Neposredna toplota cca 2' vsaka stran. Posredna toplota za preostalih 18-20 min.	20-25 min.	Povezava stegna in noge s strani brez kože naj bo narezana ¼ poti skozi meso za bolj položno lego mesa na žaru. To omogoča hitrejše in enakomernjše kuhanje. Da bi dodali poseben okus vaši kuhi, dodajte sekance meskita vašemu Napoleon žaru za dimljenje sekancev.
Svinjski kotlet	Neposredna toplota	10-15 min.	Odrežite odvečno mast pred peko na žaru. Izberite debelejšje kotlete za bolj mehko meso.
Svinjska rebra	Neposredna toplota za 5 min. Posredna toplota za zaključek.	1.5-2 uri, večkrat obrnite	Izberite vitka in mesnata rebra. Pecite meso, dokler ne odstopi zlahka od kosti. Izberite vitka in mesnata rebra.
Jagnečje zarebrnice	Neposredna toplota	25-30 min.	Odrežite odvečno mast pred peko na žaru. Izberite debelejšje kotlete za bolj mehko meso.
Hrenovke	Neposredna toplota	4-6 min.	Izberite večjo velikost Weiner. Prerežite kožo po dolžini pred peko.

Navodila za kuhanje

Začetni vžig: ko ga prvič prižgemo plinski žar oddaja rahel vonj. To je normalno, začasno stanje, ki je posledica "zapeke" notranjih barv in maziv, ki se uporabljajo v proizvodnem procesu in se ne ponovi več. Preprosto zaženite glavne gorilnike na visok položaj za približno pol ure. Pokrov in vrata na široko odprite

Uporaba žara: pri pečenju hrane priporočamo predgrevanje žara s pokritim pokrovom, pokrov naj bo zaprt za približno 20 minut. Oglje je pripravljeno, ko ima tanko plast sivega pepela. Hrana, kuhana v krajšem času (ribe, zelenjava), se lahko peče na žaru z odprtim pokrovom. Kuhanje z zaprtim pokrovom zagotavlja višje, bolj enakomerne temperature, ki lahko zmanjšajo čas kuhanja in lahko skuhamo meso bolj enakomerno. Pri kuhanju zelo pustega mesa, kot so piščančje prsi ali pusto svinjsko meso, lahko rešetke naoljimo pred predgrevanjem za zmanjšanje lepljenja. Kuhanje mesa z visoko stopnjo vsebnosti maščob lahko ustvari večji plamen. Da se to prepreči je dobro bodisi obrezati maščobo ali zmanjšati temperature. Če vseeno pride do večjega plamena, premaknite hrano proč od ognja in zmanjšajte toploto (zmanjšajte odprtost zračnika). Pokrov pustite odprt.

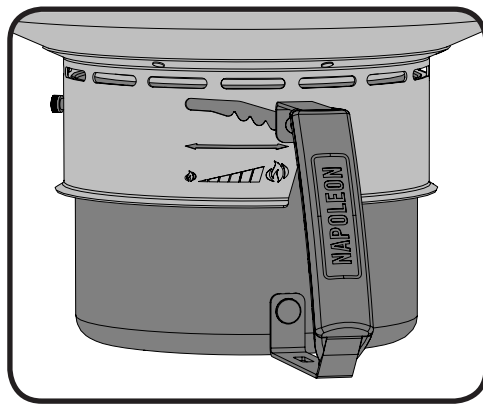
Kot splošno pravilo načrtujte porabo okoli 50 briketov za kuhanje 2£ (1 kg) mesa. Če načrtujete kuhati več kot 30 do 40 minut, je potrebno dodati dodatne brikete v ogenj. Ko je vreme hladno in vetrovno, boste potrebovali več briketov, da bi dosegli idealne temperature kuhanja.

Dodajanje oglja med kuhanjem: bodite previdni pri dodajanju oglja na žar. Lahko pride do pojava plamenov, ko pride oglje v stik s svežim zrakom. Umaknite se na varno razdaljo in uporabljajte klešče za kuhanje na dolgih ročajih, odpornih na vročino, za dodajanje briketov iz oglja. Lopute na obeh straneh kuhalne rešetke omogočajo dostop do rešetke za oglje.

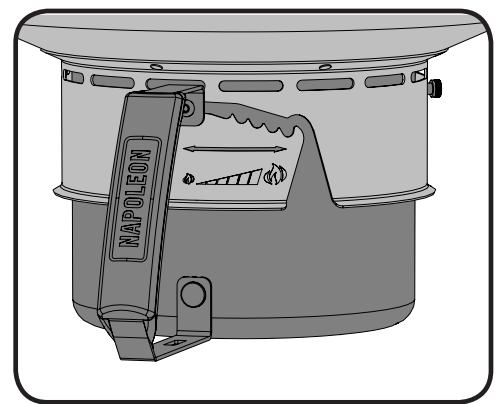


OPOZORILO! Nikoli ne dodajajte tekočine za vžig oglja vroči ali topli žerjavici. Ko je oglje vžgano, tekočina več ni potrebna

Obratovanje zračnikov: pokrov zračnikov na pokritem žaru običajno ostane odprt, da ima zrak dostop do žara. Zrak povečuje temperaturo gorenja žerjavice. Uravnavanje temperature žara je možno s premikanjem odzračevalnih drsnikov v desno ali levo. Zapiranje zračnikov, bodisi delno ali v celoti, bo pomagalo, da se oglje ohladi. Ne zaprite popolnoma zračnikov in pokrova zračnikov, razen če ne želite ohladiti ali pogasiti plamena.



Vent Open



Vent Closed

SI

Varnost po uporabi:



OPOZORILO! Da bi zaščitili sebe in svoje premoženje pred poškodbami, skrbno upoštevajte naslednje varnostne ukrepe.

- Zaprite pokrov za žar in vse odprtine za pogasitev ognja.
- Vedno omogočite žaru, da se popolnoma ohladi, preden ga prekladate.
- Nikoli ne pustite žerjavice in pepel na žaru brez nadzora. Poskrbite, da žerjavico in pepel popolnoma ugasnete, preden ju odstranite.
- Uporabite kovinsko lopatico ali zajemalko za odstranitev preostankov žerjavice in pepela iz žara. Postavite jih v posodo iz negorljivih kovin in popolnoma nevtralizirajte z vodo. Pustite jih v posodi še dodatnih 24 ur pred njihovim odlaganjem.

Vzdrževanje/ Navodila za čiščenje

Priporočljivo je, da se pepelnik / ponev izprazni po vsaki uporabi.



OPOZORILO! Zagotovite, da je žar hladen in da je oglje popolnoma ugasnjeno pred odstranitvijo katerega koli dela žara.

OPOZORILO! Pri čiščenju žara vedno nosite zaščitne rokavice in zaščitna očala.

OPOZORILO! Ne uporabljajte visokotlačnega čistilnika za čiščenje katerega koli dela žara.

OPOZORILO! V izogib možnosti nastanka opeklin je pomembno, da se vzdrževanje lahko opravi le, ko je žar hladen. Izogibajte se nezaščitenega stika z vročimi površinami. Žar čistite na območju, kjer čistilna sredstva ne bodo poškodovala pokrovov, trat ali teras. Ne uporabljajte čistila za pečice za čiščenje katerega koli dela tega žara. Ne uporabljajte samočistilne pečice za čiščenje kuhalne rešetke ali drugih delov žara. Žar omaka in sol sta lahko jedka in lahko povzročita hitro poslabšanje delov žara, če jih redno ne čistimo.

Rešetke in ogrevalno stojalo: rešetke in ogrevalno stojalo je najbolje čistiti z medeninasto žično krtačo v obdobju predogrevanja. Za trdovratne madeže lahko uporabite jekleno volno.

Notranje čiščenje plinskega žara: odstranite kuhalne rešetke. Z medeninasto žično krtačo očistite prašne delce s strani in pod pokrovom. Postrgajte plošče za pečenje s pipcem ali strgalom in uporabite žično krtačo za odstranjevanje pepela. Počistite vse smeti iz notranjosti iz žara v ponev. Po želji lahko umijete notranjost žara z blagim detergentom in vodo. Dobro sperite z vodo in obrišite do suhega.



OPOZORILO! Nabrana mast lahko povzroči požar. Ponev očistite po vsaki uporabi, da se izognete nabiranju masti.

Pepelnik / ponev: pepel, maščobe in presežne kapljice potujejo na pepelni / ponev, ki se nahaja pod žarom na oglje, kjer se kopiči. Za čiščenje povlecite ponev iz žara. Nikoli ne postavite ponve ob aluminijasto folijo, pesek ali drug material, saj to lahko prepreči masti da pravilno teče. Pekač mora biti postrgan s pipcem ali strgalom in vse smeti morajo biti sčiščene v posodo iz negorljivih kovin. Operite notranjost žara z blagim detergentom in vodo. Dobro sperite s čisto vodo in obrišite do suhega.

Čiščenje zunanje površine žara: ne uporabljajte agresivnih čistil ali jeklene volne na katerih koli pobarvanih, porcelanastih ali nerjavečih delih Napoleon žara. S tem lahko poškodujete površinski sloj. Zunanje površine žara čistite s toplo milnico, ko je kovina še topla na dotik. Za čiščenje nerjavečih površin uporabite čistilo za nerjaveče jeklo ali neabrazivno čistilo. Brišite vedno v smeri zrn. S časoma se deli iz nerjavečega jekla pri segrevanju razbarvajo, običajno na zlato ali rjavo barvo. Ta sprememba barve je normalna in ne vpliva na delovanje žara. S porcelansko emajliranimi deli je potrebno ravnati še posebej skrbno. Zapečen emajl na površini izgleda kot steklo in se odkruši, če ga udarimo. Gladilni emajl je na voljo pri vašem prodajalcu Napoleon žarov.

Kuhalne rešetke iz litega železa: kuhalne rešetke iz litega železa, dobavljene z novim žarom, nudijo vrhunsko ohranitev in porazdelitev toplote. Z rednim premazovanjem rešetkam dodajate zaščitno oblogo, ki je v pomoč pri odpornosti proti koroziji in izboljšanju lastnosti rešetk proti prijemanju.

Prva uporaba: umijte kuhalne rešetke ročno z blagim milom in vodo, da odstranite vse ostanke proizvodnega postopka (nikoli ne perite v pomivalnem stroju). Temeljito sperite s toplo vodo in popolnoma osušite z mehko krpo. To je pomembno, da se izognemo vstopu vlage v lito železo.

Namastitev: z uporabo mehke krpe nanesite **rastlinsko mast** po celotni površini rešetke, zagotovite da bodo tudi vsi žlebovi in vogali zajeti. Ne uporabljajte slanah maščob, kot sta maslo ali margarina. Predgrejte žar za 15 minut, nato postavite namaščene kuhalne rešetke v žar. Obrnite nadzorni gumb gorilnika na srednjo stopnjo z zaprtim pokrovom. Pustite, da se kuhalne rešetke ogrevajo približno pol ure. Obrnite nadzorne gumb vseh gorilnikov na položaj »OFF« in izklopite plin pri viru. Kuhalne rešetke naj stojijo do ohladitve. Ta postopek je potrebno v celotni sezoni večkrat ponoviti, čeprav to ni potrebno za vsakodnevno uporabo (upoštevajte postopek v primeru dnevne uporabe spodaj).

Dnevna uporaba: pred predgrevanjem in čiščenjem z medeninasto krtačo za žar premažite celotno zgornjo površino kuhalnih rešetk z **rastlinsko mastjo**. Segrejte žar in skrtajte vse neželene ostanke z medeninasto krtačo.

Odpravljanje težav

Težava	Možni vzroki	Rešitev
Majhna toplota / nizek plamen.	<p>Neustr.predgrevanje</p> <p>Premajhen dotok zr.</p> <p>Nizek nivo oglja.</p> <p>Pokrov je bil prevečkrat odprt.</p>	<p>Počakajte, da oglje izgori, dokler ni prekrit s svetlo sivim pepelom (običajno 20-25min).</p> <p>Odprite zračnike.</p> <p>Dodajte več oglja na pladenj z ogljem.</p> <p>Počakajte, da se hrana skuha z zaprtim pokrovom. Pri vsakem odpiranju pokrova se temperatura zniža. Posledica so temperature in daljši časi kuhanja.</p>
Izbruhi plamenov/neenaka toplota.	<p>Neppravilno predgrevanje.</p> <p>Odvečna mast in pepel v pepelniku/ponvi.</p>	<p>Predgrevajte žar z zaprtim pokrovom 20 – 25 min in enakomerno razporedite oglje.</p> <p>Redno čistite pepelnik/ponve. Ponve ne postavite ob aluminijasto folijo. Glejte navodila za čiščenje.</p>
Izgleda, kot da se lušči barva v notranjosti pokrova.	Nastanek masti na notranjih površinah.	To ni napaka. Površina pokrova je narejena iz porcelana, ki se ne lušči. Luščenje povzroča strjena maščoba, ki se posuši na barvi podobne delce, ki odstopajo. Pojav se lahko prepreči z rednim čiščenjem. Glejte navodila za čiščenje.

Pregled dela z žarom na oglje

Prižiganje žara

- Pred prvim kuhanjem priporočamo gorenje na visoki stopnji za 30 minut s popolnoma odprtim pokrovom in zračniki osnove. Tako bodo izgorela vsa maziva, ki se uporabljajo v proizvodnem procesu.
- Popolnoma odprite zračnik na pokrovu in osnovi vsakič, ko prižgete žar.
- Poskrbite, da je posoda za pepel očiščena od prejšnje uporabe in ponovno nameščena.
- Žar se lahko uporablja bodisi z ali brez sredinskega zračnega deflektorja. Deflektor zagotavlja bolj stabilne temperature in upočasni stopnjo gorenja v središču žara.
- Uporabite Ultrachef kamin za prižiganje briketov (ni vključen) po priloženih navodilih v priročniku, ali pa postavite vžigalne kocke ali rahlo zmečkan časopis na in okoli zračnega deflektorja. Postavite oglje v obliki stožca na sredini enote (neposredna metoda kuhanja) ali opcijsko v košare za oglje (posredna metoda).
- Ko je žar popolnoma prižgan, zaprite pokrov in pustite, da oglje izgori, dokler ni pokrito s svetlo sivim pepelom (približno 20 minut) in razporedite oglje s pomočjo klešč s toplotno odpornimi ročaji, glede na metodo kuhanja, ki jo boste uporabili.
- Zagonsko tekočino lahko uporabimo za vžig oglja, vendar to ni najprimernejša metoda. Lahko postane umazano in pusti kemični okus na hrani, če pred kuhanjem popolnoma ne izgori. Ko gori nikoli ne dodajamo dodatno zagonsko tekočino na žar. Shranjujte steklenico vsaj 25 ft (7,6m) od žara med uporabo.
- Dodatni okus dima je mogoče doseči z dodajanjem kadilnih lističev, ki so na voljo v različnih okusih pri vašem prodajalcu Napoleon žarov.

Kuhanje z žarom

- Priporočamo predgrevanje žara s pokritim pokrovom, pokrov naj bo zaprt za približno 20 minut. Oglje je pripravljeno, ko ima tanko plast sivga pepela.
- Kot splošno pravilo načrtujte porabo okoli 50 briketov za kuhanje 2£ (1 kg) mesa. Če načrtujete kuhati več kot 30 do 40 minut, je potrebno dodati dodatne brikete v ogenj. Ko je vreme hladno in vetrovno, boste potrebovali več briketov, da bi dosegli idealne temperature kuhanja.
- Bodite previdni pri dodajanju oglja na žar. Lahko pride do pojava plamenov, ko oglje pride v stik s svežim zrakom. Umaknite se na varno razdaljo in uporabljajte klešče za kuhanje na dolgih ročajih, odpornih na vročino, za dodajanje briketov iz oglja.
- Pokrov zračnikov na pokritem žaru običajno ostane odprt, da ima zrak dostop do žara. Zrak povečuje temperaturo gorenja žerjavice. Uravnavanje temperature žara je možno s premikanjem odzračevalnih drsnikov v desno ali levo.
- Počakajte, da se hrana skuha z zaprtim pokrovom. Pri vsakem odpiranju pokrova se temperatura zniža. Posledica so nižje temperature in daljši časi kuhanja.
- Zapiranje zračnikov, bodisi delno ali v celoti, bo pomagalo, da se oglje ohladi. Ne zaprite popolnoma zračnikov in pokrova zračnikov, razen če ne želite ohladiti ali pogasiti plamena.
- Kuhalno rešetko lahko pred predgrevanjem naoljimo za zmanjšanje lepljenja.
- Uporabite termometer za meso za zagotovitev, da je hrana dovolj skuhana.

Čiščenje žara

- Zaprite pokrov za žar in vse odprtine za pogasitev ognja.
- Vedno omogočite žaru, da se popolnoma ohladi, preden ga prekladate.
- Nikoli ne pustite žerjavice in pepel na žaru brez nadzora. Poskrbite, da žerjavica in pepel popolnoma ugasnete, preden ju odstranite.
- Uporabite kovinsko lopatico ali zajemalko za odstranitev preostankov žerjavice in pepele iz žara. Postavite jih v posodo iz negorljivih kovin in popolnoma nevtralizirajte z vodo. Pustite jih v posodi še dodatnih 24 ur pred njihovim odlaganjem.
- Z medeninasto žično krtačo očistite prašne delce v skledi in v notranjosti pokrova.
- Operite notranjost žara z blagim detergentom in vodo. Dobro sperite s čisto vodo in obrišite do suhega.
- S porcelansko emajliranimi deli je potrebno ravnati še posebej skrbno. Zapečen emajl na površini izgleda kot steklo in se odkruši, če ga udarimo. Gladilni emajl je na voljo pri vašem prodajalcu Napoleon žarov.

Shranite račun kot dokazilo o nakupu, za uveljavitev garancije.

Naročilo nadomestnih delov

Informacije o garanciji

MODEL: _____

DATUM NAKUPA: _____

SERIJSKA ŠTEVILKA: _____

(Evidenca informacij za lažje iskanje)

Preden se obrnete na servis, preverite na NAC spletni strani za bolj intenzivno čiščenje, vzdrževanje, odpravljanje napak in navodila zamenjave nadomestnih delov v www.napoleongrills.si. Obrnite se neposredno na tovarno glede nadomestnih delov in garancij. Naš predstavnik za servis je na voljo med 8. uri in 16 uro 00386 7133466.

Za obdelavo zahtevka, mora biti opremljeno z naslednjimi podatki:

1. Model in serijska številka enote
2. Številka nadomestnega dela in opis.
3. Natančen opis težave ('zlomljeno ni dovolj')
4. Potrdilo o nakupu (fotokopija računa).

V nekaterih primerih lahko predstavnik za stranke zahteva, da se deli vrnejo v tovarno na pregled preden zagotovijo nadomestne dele. Te dele je potrebno poslati po predplačilu serviserju z sledečimi informacijami.

1. Model in serijsko številko enote.
2. Natančen opis težave ('zlomljeno ni dovolj')
3. Potrdilo o nakupu (fotokopija računa).
4. Vrnjeno avtorizacijsko številko – prejeta od predstavnika za servis.

Preden se obrnete na predstavnika za servis, vedite, da da sledeči elementi niso zajeti v garancijo.

- Stroški transporta, posredniške ali izvozne dajatve.
- Stroški dela za odstranjevanje in ponovno montažo.
- Stroški storitev diagnosticiranja težav.
- Sprememba barve delov iz nerjavečega jekla.
- Poškodba delov zaradi pomanjkanja čiščenja in vzdrževanja, ali uporabe nepriernih čistil (čistila za pečice).

SI



CAUTION! During unpacking and assembly we recommended you wear work gloves and safety glasses for your protection. Although we make every effort to make the assembly process as problem free and safe as possible, it is characteristic of fabricated steel parts that the edges and corners might be sharp and could cause cuts if handled incorrectly.



Getting Started

1. Remove all cart panels, hardware, and grill head from carton. Raise lid and remove any components packed inside. Use the parts list to ensure all necessary parts are included.
2. Do not destroy packaging until the grill has been fully assembled and operates to your satisfaction.
3. Assemble the grill where it is to be used, lay down cardboard or a towel to protect parts from being lost or damaged while assembling.
4. **Most stainless steel parts are supplied with a protective plastic coating that must be removed prior to using the grill. The protective coating has been removed from some of the parts during the manufacturing process and may have left behind a residue that can be perceived as scratches or blemishes. To remove the residue, vigorously wipe the stainless steel in the same direction as the grain.**
5. Follow all instructions in the order that they are laid out in this manual.
6. Two people are required to lift the grill head onto the assembled cart.



If you have any questions about assembly or grill operation, or if there are damaged or missing parts please call our Customer Solutions Department at 1-866-820-8686 between 9 AM and 5 PM (Eastern Standard Time).



ОСТОРОЖНО! Во время удаления упаковки и сборки рекомендуется носить защитные перчатки и защитные очки. Хотя во время производства для обеспечения быстрой и эффективной сборки гриля были приняты все меры для устранения острых граней, тем не менее, надлежит обращаться с деталями очень аккуратно во избежание травм.



Начало работы

1. Уберите все упаковочные материалы. Поднимите крышку и извлеките все детали, находящиеся внутри. Проверьте по списку наличие всех деталей.
2. Не выбрасывайте упаковочный материал, пока гриль не был полностью собран и успешно введён в эксплуатацию.
3. Собирайте гриль на месте будущего использования, разложите детали на картонке или полотенце, чтобы не потерять их во время сборки.
4. **Большинство деталей из нержавеющей стали поставляются покрытыми защитной пластиковой пленкой, которая должны быть удалена перед первым использованием гриля. С некоторых частей гриля защитная пленка демонтируется в процессе производства, и, возможно, могла оставить следы (в виде полос), которые могут восприниматься как царапины или пятна грязи. Чтобы удалить остатки следов клея, энергично протрите нержавеющую сталь в том же направлении, что и зернистость стали.**
5. Следуйте всем указаниям в порядке, указанном в инструкции.
6. Для размещения верхней части гриля на собранной тележке понадобятся два человека.



Если у вас возникли какие либо вопросы по сборке или эксплуатации гриля. или если некоторые детали отсутствуют или повреждены. пожалуйста свяжитесь с отделом работы с клиентами по телефону 1-866-820-8686 с 9 до 17 (североамериканское восточное время).



POZOR! Při vybalování a montáži vám doporučujeme nosit pracovní rukavice a ochranné brýle pro vaši ochranu. Ačkoli jsme věnovali veškeré úsilí tomu, aby proces montáže byl bezpečný, tak je možné, že ocelové části, jako jsou rohy a hrany mohou být ostré a způsobit řezné rány při nesprávné manipulaci.



Začínáme

1. Odstraňte všechny kryty, vyjměte díly a gril z obalu. Zvedněte víko a odstraňte veškeré zabalené komponenty. Použijte seznam dílů, aby se zajistilo, že všechny potřebné díly jsou součástí dodávky.
2. Neničte balení, dokud gril není plně sestaven a nefunguje k vaší spokojenosti.
3. Sestavte gril, použijte kartonu či textilii k ochraně dílů před poškozením při montáži.
4. **Většina dílů z nerezové oceli je dodávána s ochrannou plastovou vrstvou, která musí být před použitím grilu odstraněna. Ochranný povlak je z některé části odstraněn v průběhu výrobního procesu, a může zanechat zbytek, který může být vnímán jako škrábance nebo skvrny. Chcete-li odstranit tyto zbytky, použijte utěrku popř. čistič na nerez.**
5. Postupujte podle pokynů v pořadí, v jakém jsou stanoveny v tomto návodu.
6. K montáži jsou doporučeni dvě osoby a mají také společně zvednout hlavu grilu na sestavený koš.



Máte-li jakékoli dotazy týkající se sestavení nebo provozu grilu, nebo pokud jsou některé části poškozené nebo chybí, prosím kontaktujte vašeho prodejce Napoleon.



POZOR! Pri rozbaľovaní a montáži odporúčame nosiť pracovné rukavice a ochranné okuliare pre vašu ochranu. Aj keď sme vynaložili všetko úsilie, aby montážny proces nebol problémový a bol bezpečný. Diely sú vyrobené z ocele, hrany a rohy môžu byť ostré, môžete si spôsobiť zranenie pri nesprávnej manipulácii!



Začíname

1. Rozbaľte všetky časti, hardware a gril z obalu. Zdvihnite veko a odstráňte všetky zabalené súčasti. Pomocou zoznamu dielov, skontrolujte či sú všetky nevyhnutné súčasti súčasťou balenia.
2. Neničte obal, kým gril nie je kompletne zostavený alebo kým pracuje správne.
3. Zostavte gril, na mieste používania, podložte kartónom alebo uterákom pre ochranu častí pred stratou alebo poškodením počas montáže súčastí.
4. **Väčšina dielov z nerezovej ocele sú dodávané s ochrannou plastovou vrstvou / fóliou, ktorá musí byť odstránená pred použitím grilu. Ochranný povlak bol z niektorých častí odstránený počas výrobného procesu, a môže zanechať zvyšok, ktorý môže byť vnímaný ako škrabance alebo škvrna. Pre odstránenie zvyškov, energicky utrite z nerezovej ocele v rovnakom smere, ako sú ryhy.**
5. Postupujte podľa všetkých pokynov v poradí, v akom sú stanovené v tomto návode.
6. V dvoch ľuďoch zdvihnite „hlavu“ grilu na zostavený vozík.



Ak máte akékoľvek otázky týkajúce sa zostavenia alebo prevádzky grile, alebo v prípade, že sú časti poškodené alebo chýba, prosím volajte dodavateľa.



POZOR! Preporučujemo upotrebu radnih rukavica i zaštitnih naočala tijekom raspakiranja i sastavljanja roštilja. Unatoč jednostavnom i sigurnom procesu sastavljanja roštilja, tvornički proizvedeni čelični dijelovi mogu biti oštri i prouzročiti ozljede ako se njima pravilno ne rukuje.



Uvod

1. Izvadite dijelove iz kartonske kutije. Dignite poklopac i odstranite komponente koje se nalaze u roštilju. Provjerite jesu li svi dijelovi koji se nalaze na spisku uključeni u paketu.
2. Embalažu možete baciti tek kada ste sastavili roštilj i uvjerali se da pravilno radi.
3. Sastavite roštilj na mjestu gdje ćete ga upotrebljavati. Tijekom sastavljanja položite sve dijelove na karton ili ručnik kako ih ne bi oštetili ili izgubili.
4. Većina dijelova od nehrđajućeg čelika je pakirana u zaštitnom sloju plastike koji treba odstraniti prije upotrebe.
5. Slijedite upute u priručniku.
6. Dvoje ljudi je potrebno kako bi dignuli gornji dio roštilja na sastavljeno postolje



Ako imate bilo kakvih pitanja u vezi sklapanja ili rada s roštiljem ili ako su neki dijelovi oštećeni ili nedostaju, nazovite distributera za vaše područje između 8.00 i 16.00 sati.



POZOR! Med raspakiranjem in montažo priporočamo nošenje delovnih rokavic in zaščitnih očal za zaščito. Čeprav se trudimo po svojih najboljših močeh, da bi bil proces sestavljanja brezhiben in varen, kot je mogoče, je značilnost proizvedenih jeklenih delov, da so lahko njihovi robovi in vogali ostri in lahko povzročijo ureznine ob nepravilnem ravnanju.



Kako začeti

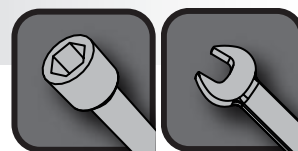
1. Odstranite vse kartonske plošče, napravo in pokrov žara iz kartona. Dvignite pokrov in odstranite vse dele, ki so pakirani v notranjosti. S pomočjo seznama delov preverite, če so vključeni vsi potrebni deli.
2. Ne uničite embalaže, dokler žar ni v celoti sestavljen in zadovoljivo deluje.
3. Sestavite žar tam, kjer ga boste uporabljali, položite na tla karton ali brisačo, za zaščito delov pred izgubo ali poškodbami med sestavljanjem.
4. Većina delov iz nerjavećega jekla je opremljena z zaštitno plastično prevleko, ki jo je potrebno odstraniti pred uporabo žara.
5. Upoštevajte vsa navodila v vrstnem redu, kot so določena v tem priručniku.
6. Dve osebi morata dvigniti pokrov žara na montiran voziček.



Če imate kakršna koli vprašanja glede sestavljanja ali dela z žarom, oz. če so deli poškodovani ali manjkajo, vas prosimo, da pokličete distributerja za vaše područje med 8.00 in 16.00 uro.

**x6**

N450-0048



Ensure slot in the base engages the clip in the air vent as illustrated.

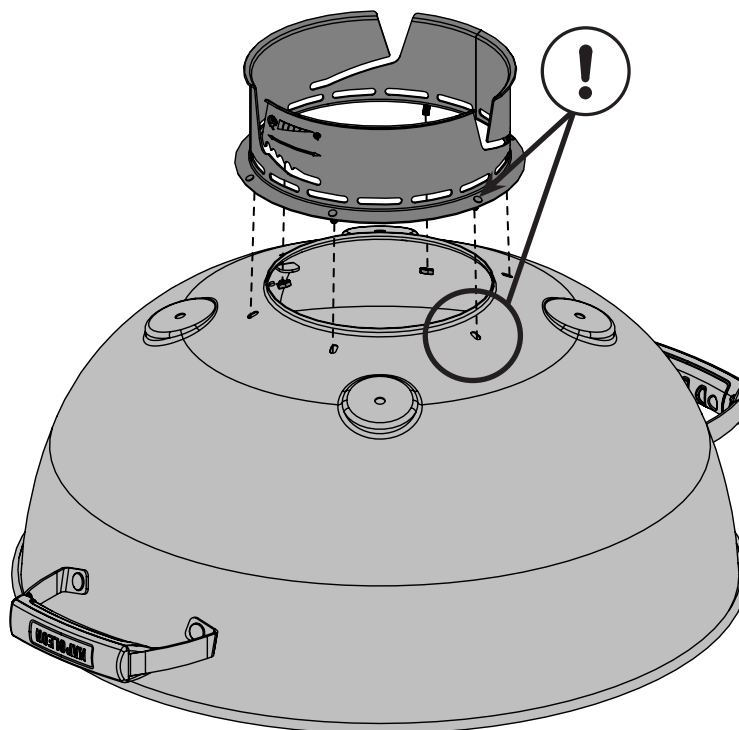
Убедитесь, что разъем в опоре соприкасается с зажимом, расположенным в вентиляционном отверстии, как это показано на рисунке.

Ujistěte se, že slot se v základně zapojuje do vzduchového ventilu podle obrázku.

Zaistite, aby drážka boľa zachytená klipom vo vetracím otvorení, ako je znázornené.

Osigurajte, je li utor odgovara s držačem baze i otvorom za zrak prema slici.

Zagotovite, da se reža ujame z zatičem osnove in zračnikom, kot je prikazano.





For ease of installation start all screws before tightening completely. Completely tighten screws after bottom shelf and wheels have been attached.

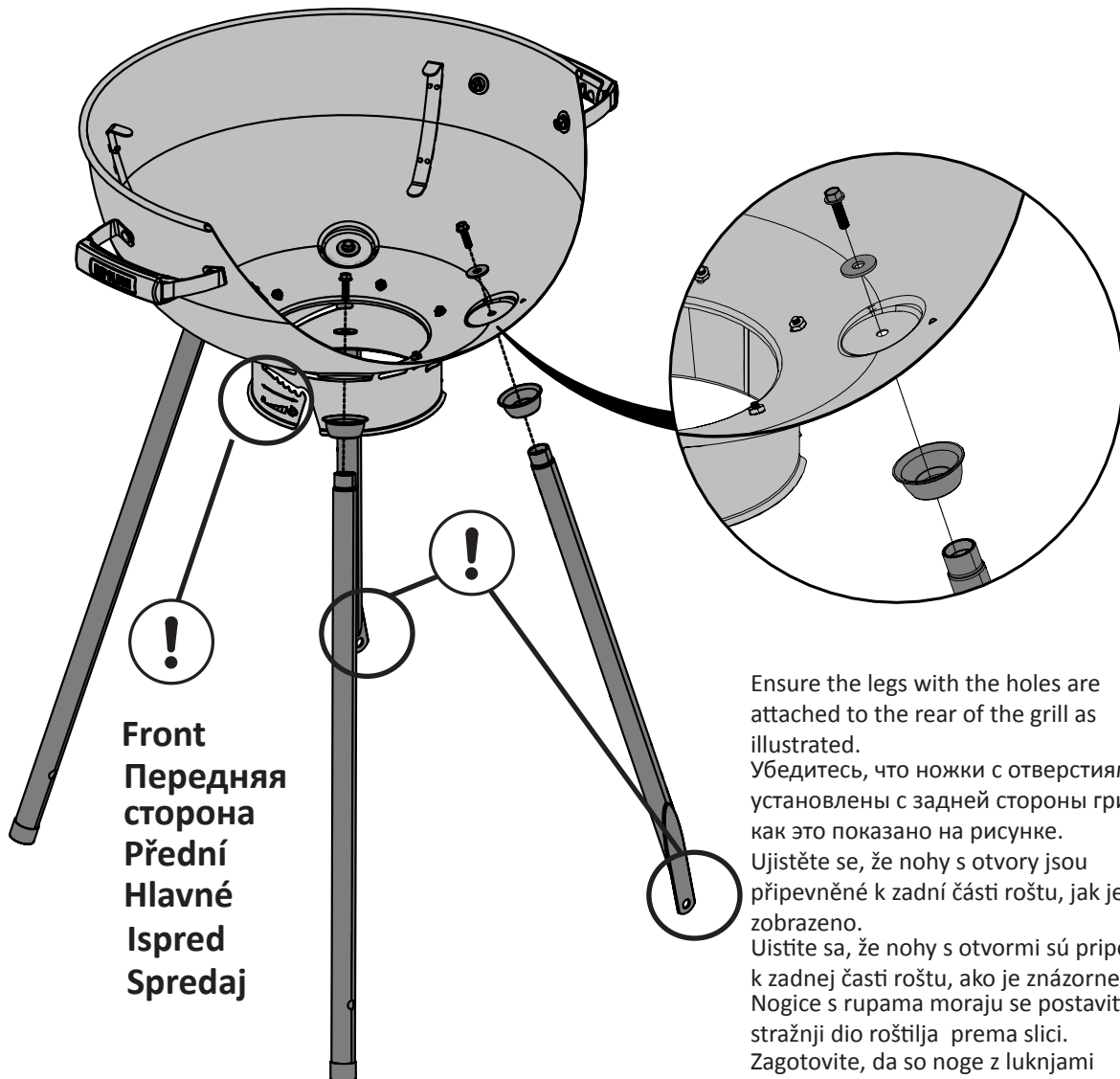
Для простоты установки сначала вверните все винты перед окончательной затяжкой. Окончательно затяните винты после того, как нижняя полка и колёса были установлены.

Pro snadnou instalaci našroubujte lehce všechny šrouby. Následně je zcela utáhněte a hlavně spodní polici s kolečky.

Pre jednoduchú inštaláciu čiastočne zatočte všetky skrutky. Po pripojení spodnej police a kolesá, skrutky úplne utiahnite

Za jednostavnost instalaciju umetnite sve vijke prije nego jih u potpunosti stegnete. Potpuno stegnite vijke nakon što je bila pritvrđena donja polica i kotači.

Za lažjo namestitev vstavite vse vijake, preden jih popolnoma zategnete. Popolnoma privijte vijake, potem ko so bila kolesa in spodnja polica priterjeni.



Front
Передняя
сторона
Přední
Hlavné
Ispred
Spredaj

Ensure the legs with the holes are attached to the rear of the grill as illustrated.

Убедитесь, что ножки с отверстиями установлены с задней стороны гриля, как это показано на рисунке.

Ujistěte se, že nohy s otvory jsou připevněné k zadní části roštu, jak je zobrazeno.

Uistite sa, že nohy s otvormi sú pripojené k zadnej časti roštu, ako je znázornené.

Nogice s rupama moraju se postaviti na stražnji dio roštilja prema slici.

Zagotovite, da so noge z luknjami pritrjene na zadnji strani žara, kot je prikazano.



Insert the bottom shelf into the holes in the legs ensuring the crossbars on either end of the shelf are to the bottom as illustrated.

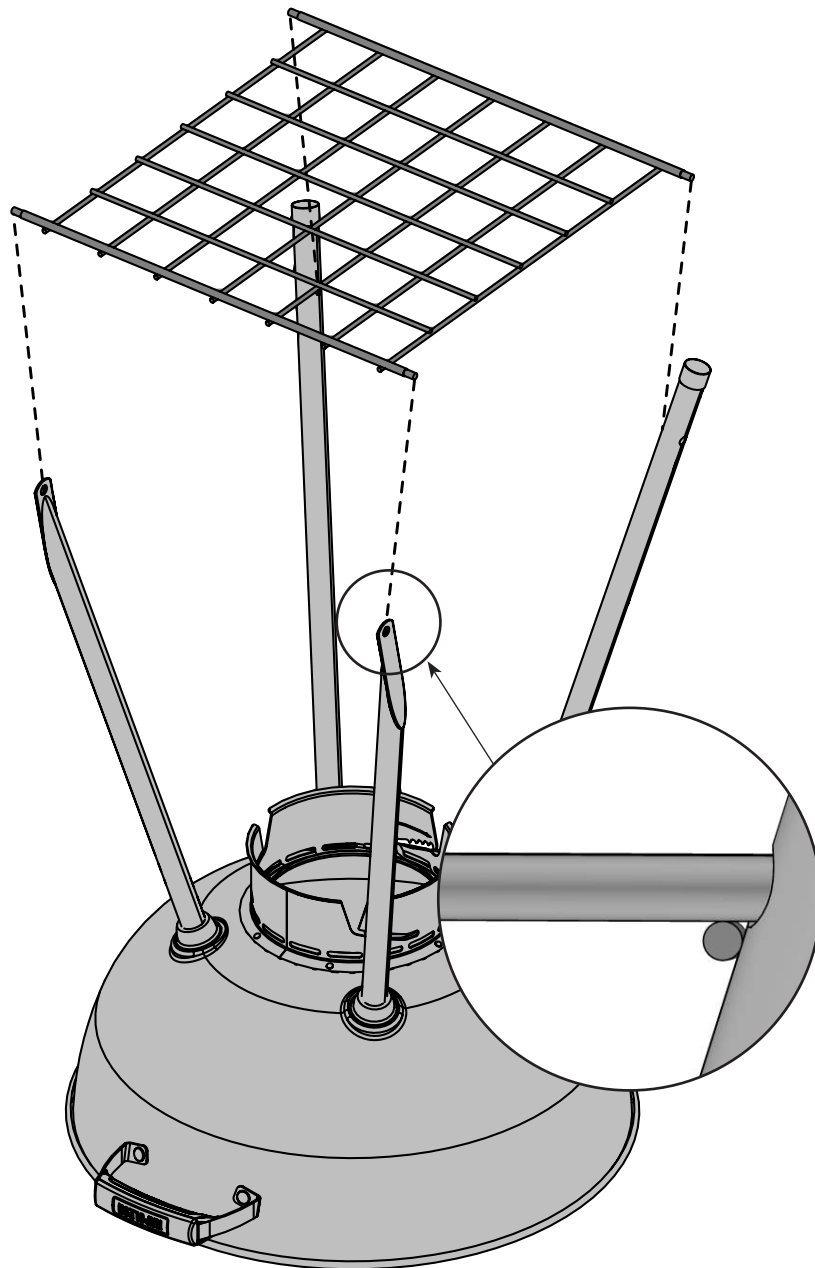
Поместите нижнюю полку в отверстия, расположенные в ножках, убедитесь, что перекладины с обеих сторон полки находятся внизу, как это показано на рисунке.

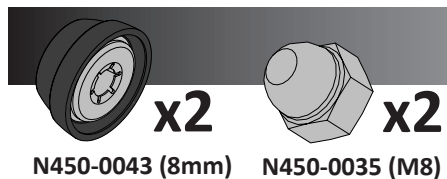
Vložte spodní polici do otvorů v nohách zajišťujících příčnicku. Na jednom konci police jsou na spodní straně, jak je zobrazeno.

Vložte dolnej police do otvorov v nohách zaisťujúcich priečniky na oboch koncoch police, sú umiestnené na spodnej strane, ako je znázornené.

Umetnite donju policu u rupice i osgurajte, da su prečke na obje strane prema slici.

Vstavite spodnjo rešetko v luknje nog in zagotovite, da so prečke na obeh policah na dnu, kot je prikazano.

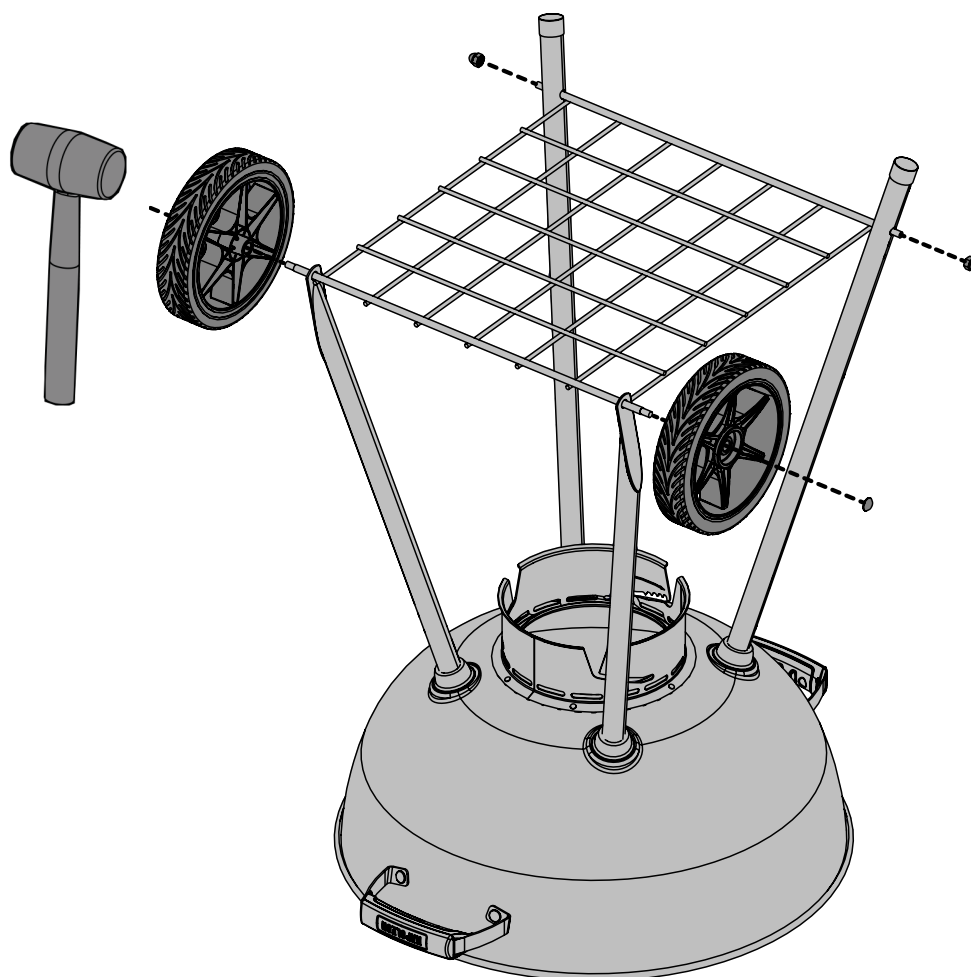




1/2" (13mm)



If necessary the axle cap can be tapped with a rubber mallet.
 При необходимости ось крышки могут быть использованы с резиновым молотком.
 V případě potřeby lze poklici vyrazit gumovou paličkou.
 V prípade potreby môžete využiť pre montáž čiapky nápravy gumovú paličku.
 Prema potrebi za lakše pričvrščivanje možete koristiti gumeni čekić
 Po potrebi udarite pokrovček osi z gumijastim kladivom

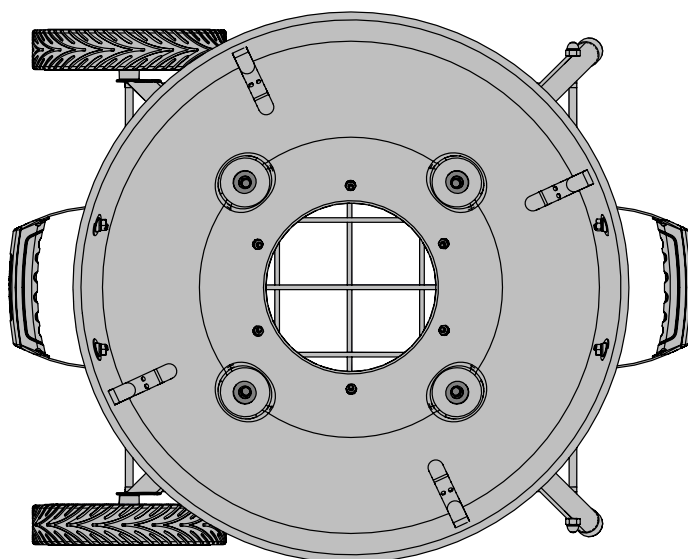





3/8" (10mm)



Completely tighten screws, securing legs to base.
 Окончательно затяните винты, закрепляя ножки на опоре.
 Zcela utáhněte šrouby zajišťující nohy k základně.
 Úplne utiahnite skrutky, zaistite nohy základne.
 Stegnite vijke i učvrstite nogice i bazu.
 Popolnoma privijte vijake za pritrditev nog v osnovo.



WARNING! Do not over tighten leg screws.
ВНИМАНИЕ! Не перетягивайте винты ножек.
VAROVÁNÍ! Neutahujte šrouby nohou.
VAROVANIE! Neutáhujte skrutky nôh.
UPOZORENJE! Vijci ne smiju biti prečvrsto stegnuti.
OPOZORILO! Ne zategnite preveč vijakov nog.

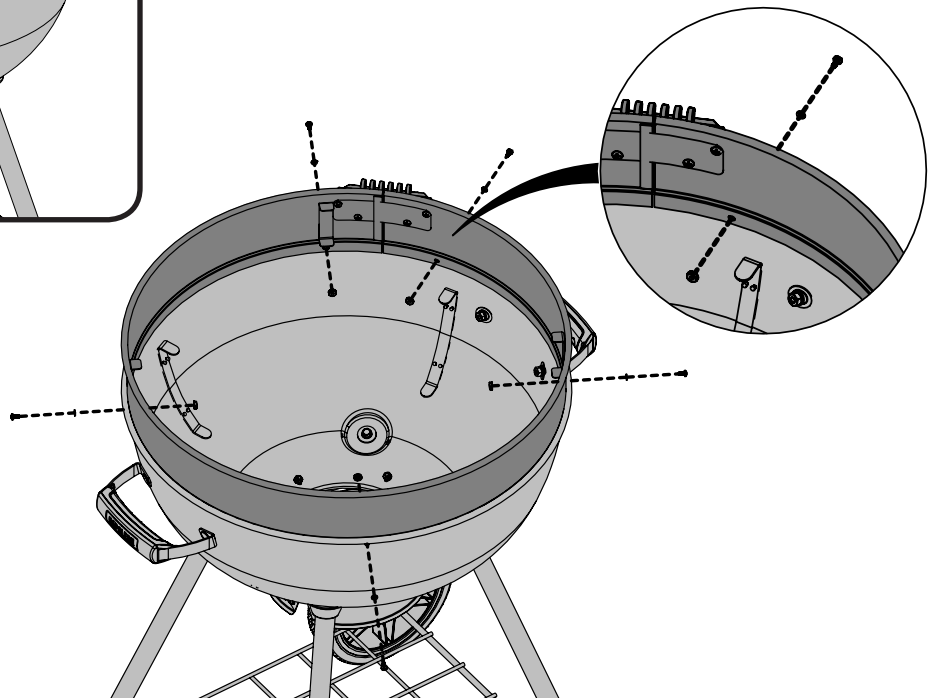
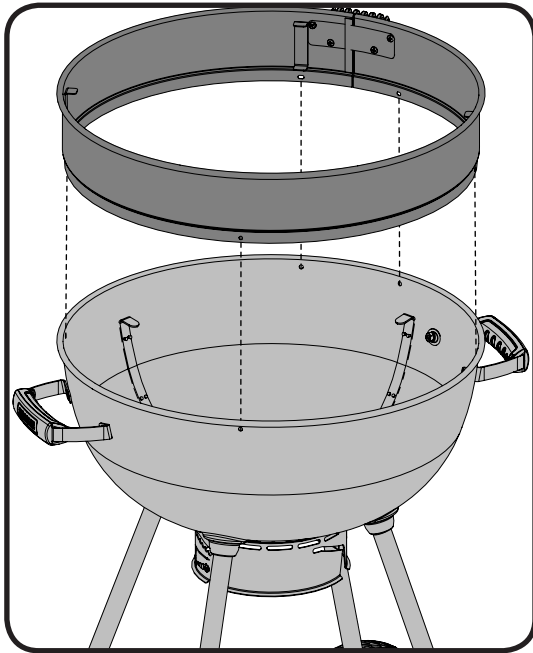
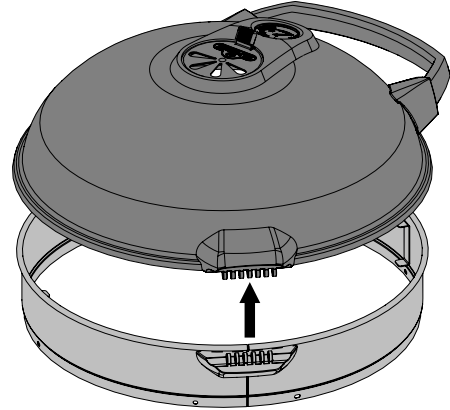
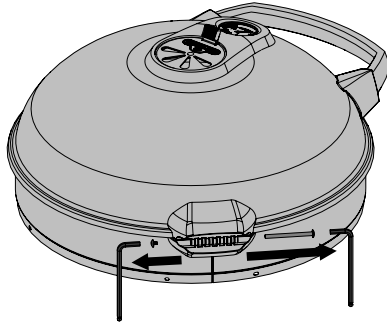
 **x5**  **x5**  **x5**
N570-0093 (M4 x 8mm) N450-0032 (M4) Z735-0008 (8 mm)

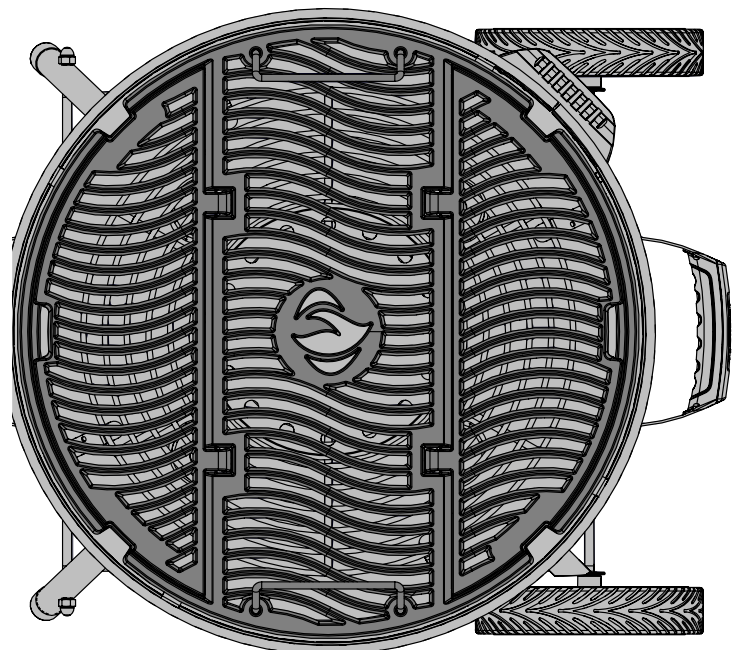
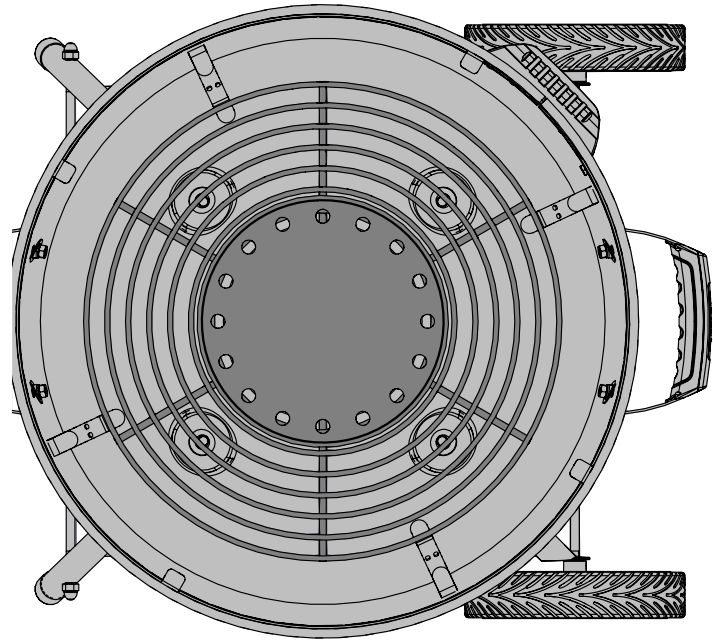
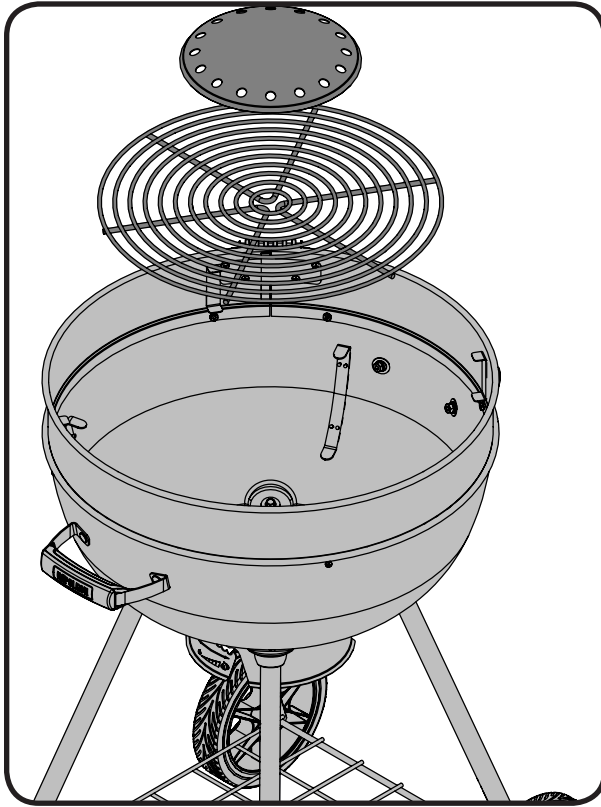


9/32" (7 mm)



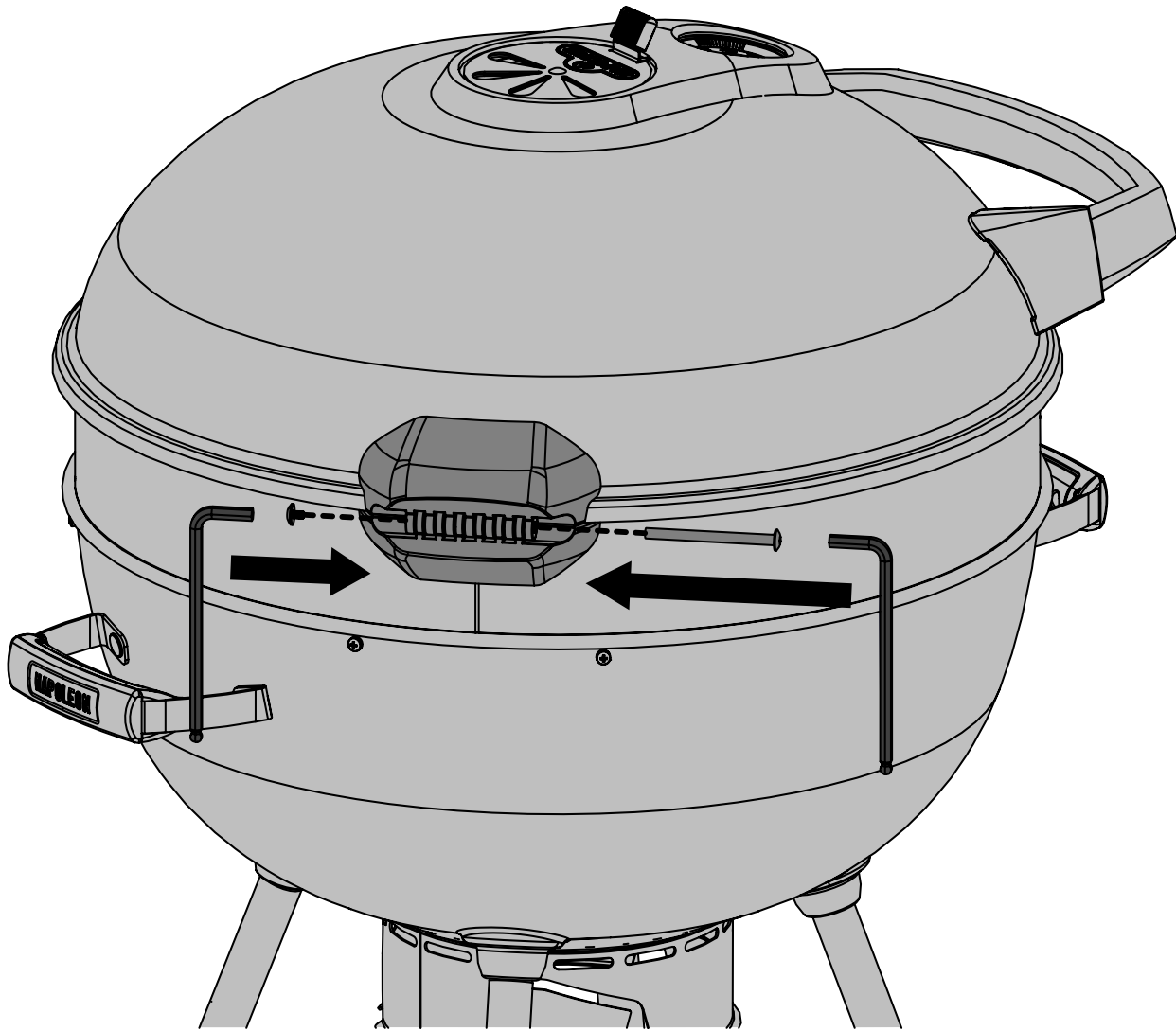
(4mm)







(4mm)





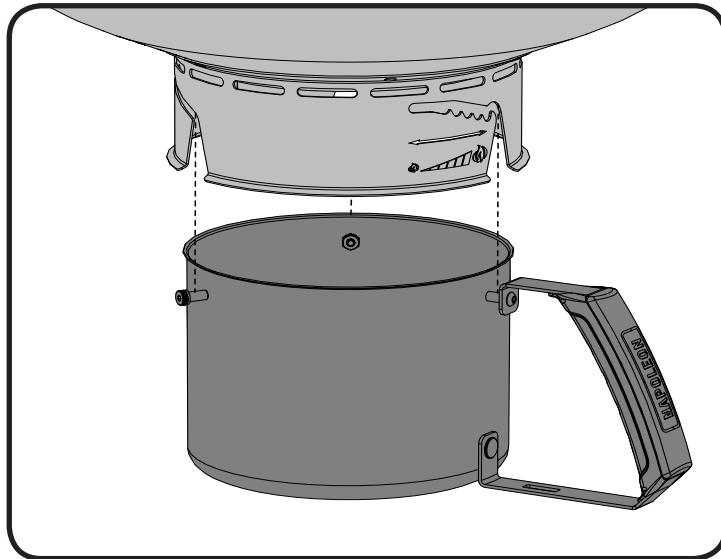
Ensure ash pan engages in base as illustrated.

Убедитесь, что поддон / зольник установлен на опоре надлежащим образом. Ujistěte se, že odkapová miska je na svém místě, jak je znázorněno.

Zaistite, aby popolnik / odkvapkávacia miska bola umiestnená, ako je znázornené.

Osigurajte da je posuda za kapanje instalirana kao što je prikazano na slici.

Zagotovite da je ponev za odcejanje nameščena kot na sliki.



Ensure slot in ash pan engages clip in base as illustrated.

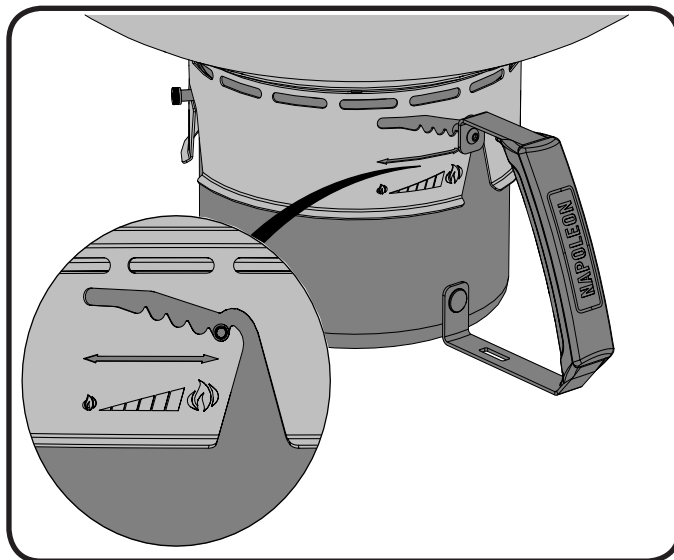
Убедитесь, что поддон установлен на опоре так, как это показано на рисунке.

Ujistěte se, že slot odkapové misky je v základně, jak je znázorněno.

Zaistite, aby drážka v odkvapkávacej miske bola zapojená, ako je znázornené.

Osigurajte da je otvor posude za kapanje zakačen na bazu prema slici

Zagotovite, da se reža v ponvi ujame z zatičem osnove, kot je prikazano.

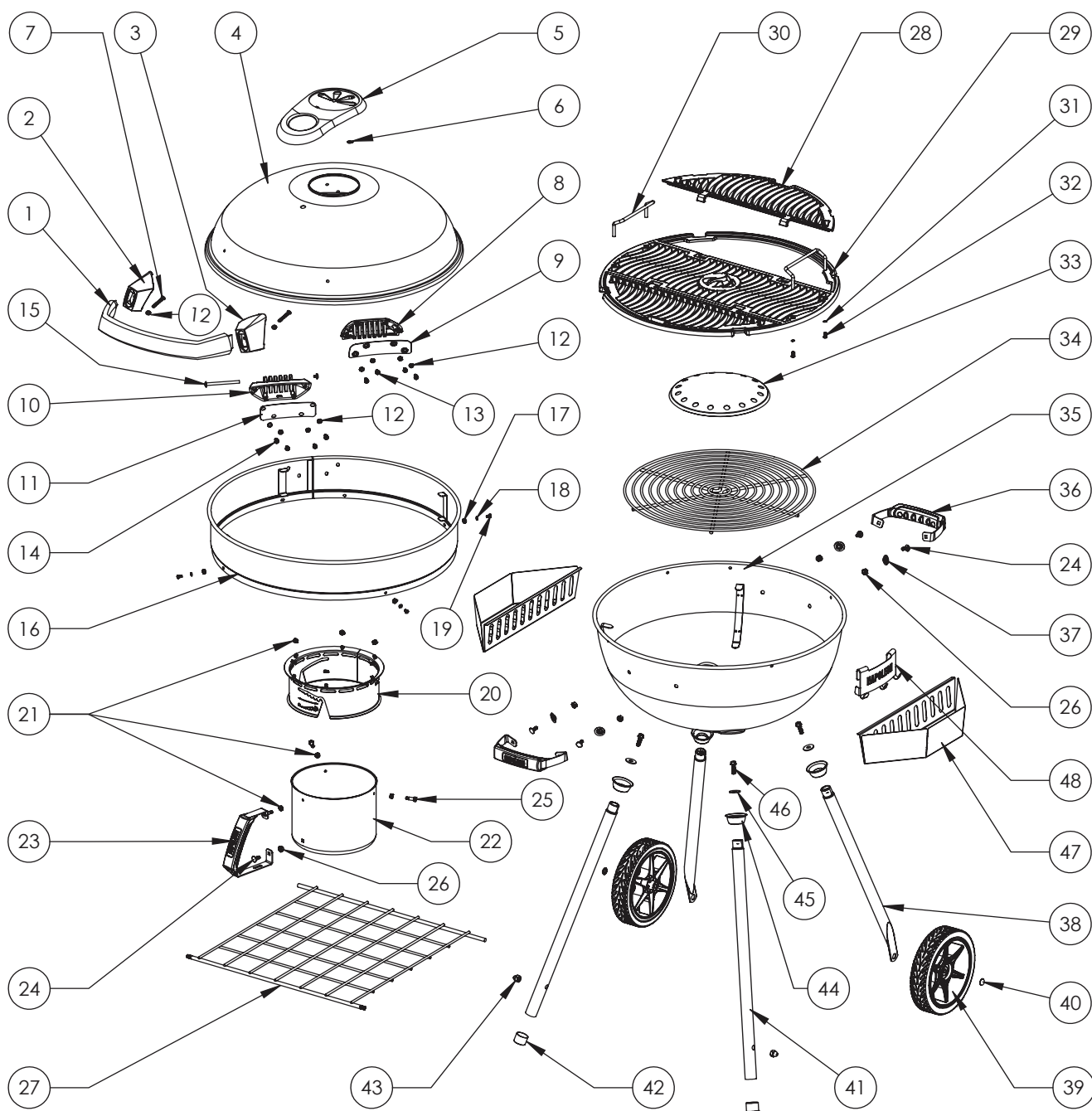


Parts List

Item	Part #	Description	
1	N325-0099	lid handle / poignée de couvercle	x
2	N655-0141	support lid handle left / support de la poignée du couvercle gauche	x
3	N655-0142	support lid handle right / support de la poignée du couvercle droit	x
4	N335-0057K	lid / couvercle	x
5	N685-0011	temperature gauge / jauge de température	x
6	W450-0005	logo spring clips / pinces à ressort du logo	x
7	Z570-0029	screw 10-24 x 35 mm / vis 10-24 x 35 mm	x
8	N080-0271	hinge upper / charnière supérieure	x
9	N655-0143	stiffener plate hinge / plaque de charnière	x
10	N080-0270	hinge lower / charnière inférieure	x
11	N655-0155	stiffener plate hinge / plaque de charnière	x
12	N735-0010	lockwasher / rondelle à ressort	x
13	N570-0042	screw 10-24 x 3/8" / vis 10-24 x 3/8"	x
14	Z570-0033	screw 10-24 x 12mm / vis 10-24 x 12mm	x
15	N570-0098	screw, hinge / vis charnière	x
16	N010-0692	middle ring assembly base / anneau de base assemblée	x
17	N450-0032	nut M4 / M4 écrou	x
18	Z735-0008	washer / rondelle	x
19	N570-0093	screw M4 x 8mm / vis M4 x 8mm	x
20	N655-0202	support, air vent ring /	x
21	N450-0048	washer, lock 10-32 / rondelle de blocage 10-32	x
22	N710-0103-BK1HG	drip pan - ash collector / récipient à cendres - bac d'égouttement	x
23	N010-0969	ash pan handle / poignée du récipient à cendres	x
24	N570-0115	1/4-20 x 5/8" screw / vis 1/4-20 x 5/8"	x
25	N570-0123	shoulder screw, 10-32 x 1/2" /	x
26	N450-0025	nut 1/4-20 / écrou 1/4-20	x
27	N590-0234-BK1SG	wire bottom shelf / tablette grillagée inférieure	x
28	N305-0081-BK2FL	cooking grid side / grille de cuisson lateral	x
29	N305-0080-BK2FL	cooking grid main / grille de cuisson principale	x
30	N325-0076	handle cooking grid / grille de cuisson poignée	x
31	Z735-0014	M4 washer / rondelle M4	x
32	Z570-0032	M4 screw / vis M4	x
33	N500-0043	reflector plate / déflecteur d'air	x
34	N305-0077	charcoal grate / grille à charbon de bois	x
35	N010-0953-BK2GL	base / base	x
36	N010-0865	handle base / de couvercle - base	x
37	Z735-0007	M6 washer / rondelle M6	x
38	N075-0087	leg wheel / patte arrière avec roue	x
39	Z745-0001	wheel / roue	x
40	N450-0043	axle cap / essieu	x
41	N075-0089	leg front / patte avant	x
42	N120-0015	cap leg / embout pour patte	x
43	N450-0035	acorn nut M8 / écrou borgne M8	x
44	N655-0129P	support leg / support de patte	x
45	Z735-0006	flat washer / rondelle plate	x
46	N570-0087	1/4-20 x 7/8" screw / vis 1/4-20 x 7/8"	x
47	N590-0207	basket charcoal / panier à briquettes	ac
48	55100	tool hook bracket / crochet à ustensiles	ac
	68910	vinyl cover / housse en vinyle	ac

x - standard ac - accessory

Parts Diagram



Notes



Notes



Notes



Notes



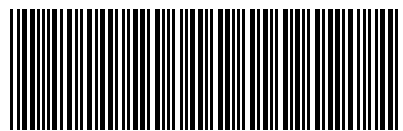
Notes





Napoleon products are protected by one or more U.S. and Canadian and/or foreign patents or patents pending.
Les produits de Napoléon sont protégés par notre brevet d'invention dans les pays États Unis, Canada et international.

www.napoleongrills.com



N415-0444E